

BE brake repair kit

Sizes BE05 to BE30

SERVICE



BE brake repair kit

SEW-EURODRIVE offers the BE brake repair kit for service work to be performed by customers themselves on brakes of the BE series. It is available in nine versions for sizes BE05 to BE30 and is intended for installation in DR. motors.

The repair kit includes all parts required for preventative maintenance and repair of the respective brake type. The individual components are packed in a 100% recycled paperboard packaging, and are delivered together with a manual provided as hard copy and as CD. The CD contains the manual in the most common languages.

One repair kit – nine versions – available for 10 motor sizes



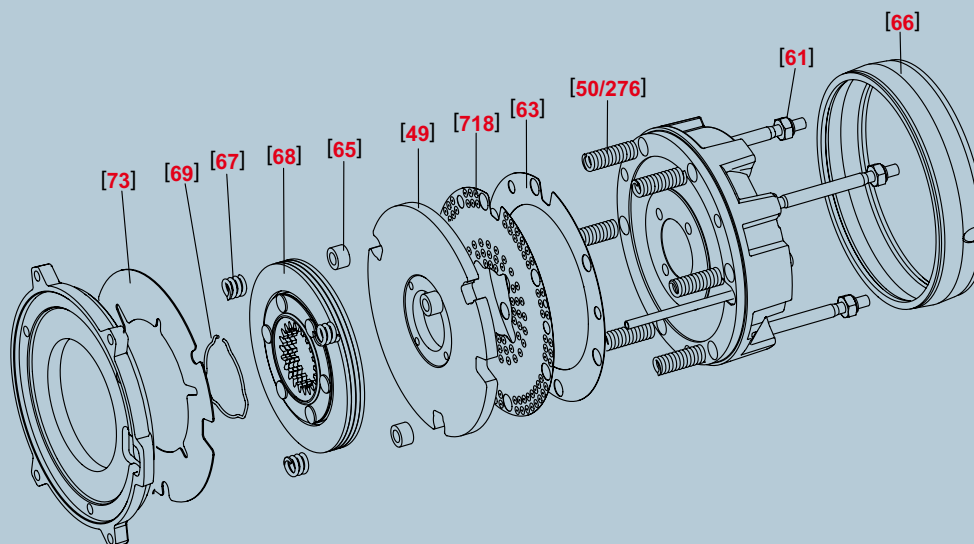
Types

| Designation of the repair kit | For motor size(s) | Reference number |
|-------------------------------|---------------------------|------------------|
| BE05A / BE1A | DR.71 | 17904005 |
| BE05B / BE1B / BE1C | DR.80 and DR.90 | 17904013 |
| BE2 | DR.80, DR.90 and DR.100 | 17904021 |
| BE5A | DR.90 and DR.100 | 17904048 |
| BE5B | DR.112 and DR.132 | 17904056 |
| BE11A | DR.112 and DR.132 | 17904064 |
| BE11B | DR.160 | 17904072 |
| BE20 | DR.160 and DR.180 | 17904080 |
| BE30 | DR.180, DR.200 and DR.225 | 17904099 |

The marked parts are included in the BE brake repair kit

| | |
|--|---|
| 49 Pressure plate | 67 Counter spring / setting sleeve |
| 50 Brake spring / normal | 68 Brake disk |
| 61 Hex nut | 69 Circular spring (not included in the kit for brake sizes BE05 to BE2) |
| 63 Pole sheet (only included in the kit for brake sizes BE1 to BE11, depending on the braking torque) | 73 Stainless steel washer (only included in the kit for brake sizes BE05 to BE2) |
| 65 Pressure ring (not included in the kit for brake size BE30) | 276 Brake spring / blue |
| 66 Rubber sealing collar | 718 Damping plate (only included in the kit for brake sizes BE05 to BE11) |

Content of the respective BE20 brake repair kit



How we're driving the world



SEW-EURODRIVE
Driving the world