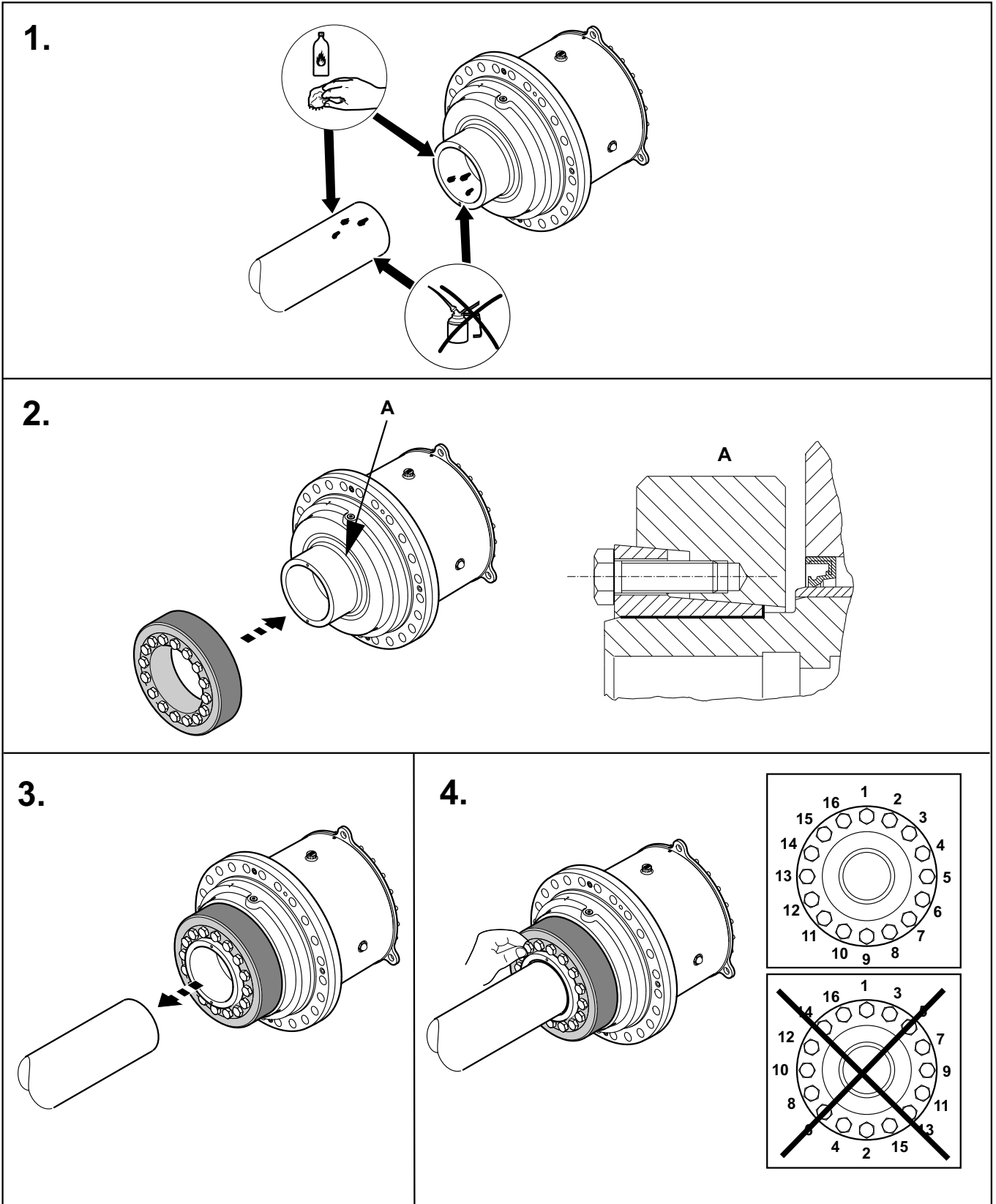




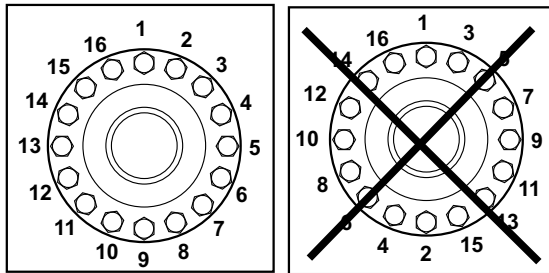
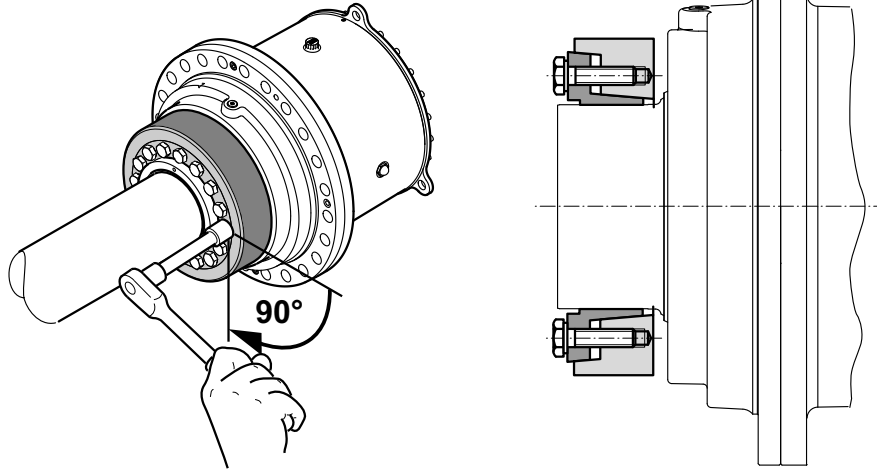
P002-082



68964AXX



5.



Schrumpfscheiben-Typ Shrink disc typ	Baugröße Size	Schrauben Screws	Bemessungsdrehmoment [Nm] Rated torque [Nm]	Anzugsdrehmoment [Nm] Tightening torque [Nm]
3191	P002	M16	41 000	250
3181	P012	M16	75 000	290
	P022	M16	95 500	290
	P032	M20	134 000	570
	P042	M20	194 000	570
	P052	M20	255 000	570
	P062	M24	405 000	980
	P072	M24	525 000	980
	P082	M24	720 000	980

68515AXX