



**SEW**  
**EURODRIVE**

SEW-EURODRIVE GmbH & Co KG  
P.O. Box 3023 · D-76642 Bruchsal / Germany  
Phone +49 7251 75-0 · Fax +49 7251 75-1970  
sew@sew-eurodrive.com

→ [www.sew-eurodrive.com](http://www.sew-eurodrive.com)



## **DFS11B Fieldbus Interface PROFIBUS DP-V1 with PROFI-safe**

Edition 09/2007

16628012 / EN

# Correction Sheet

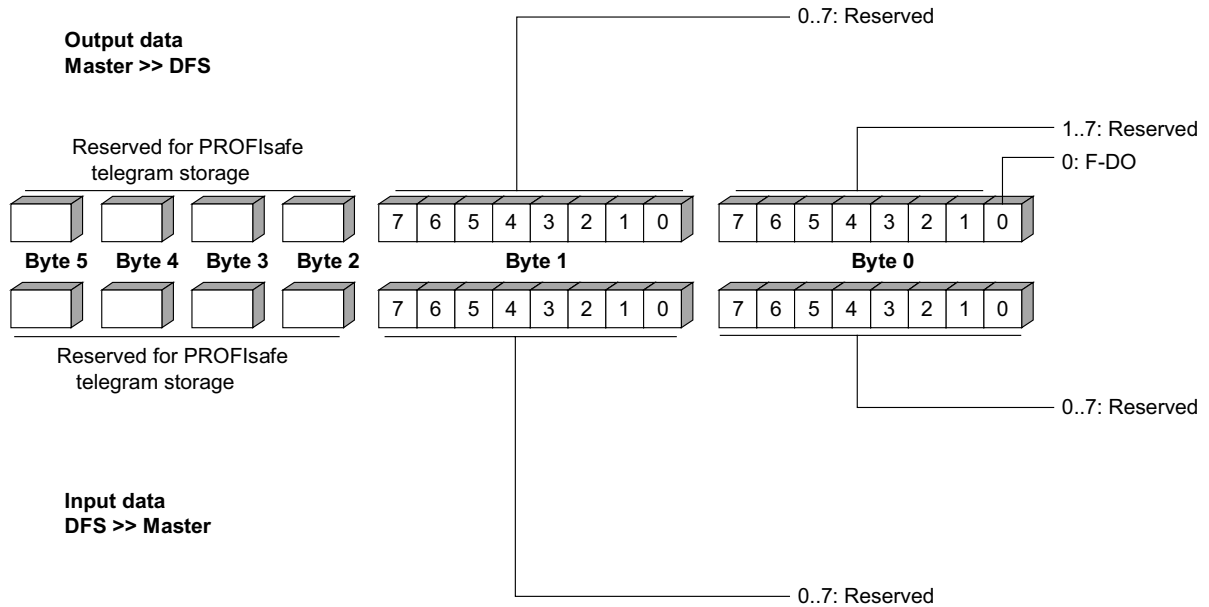


**1 PROFIBUS DP Operating Characteristics**

	<b>NOTES</b>
	<ul style="list-style-type: none"> <li>• In the "Fieldbus Interface DFS11B PROFIBUS DP-V1 with PROFIsafe" manual, part number 11478217, edition 09/2007, this <b>correction sheet replaces</b>:             <ul style="list-style-type: none"> <li>– the "Input and output data" paragraph in section 8.1.2 "F periphery DB of PROFIsafe option DFS".</li> </ul> </li> <li>• Installation and startup only by trained personnel observing the relevant accident prevention regulations and the following documents:             <ul style="list-style-type: none"> <li>– MOVIDRIVE® MDX60B / 61B operating instructions</li> <li>– MOVITRAC® B operating instructions</li> </ul> </li> </ul>

**1.1 F periphery DB of PROFIsafe option DFS**

**Input and output data**



62433BEN

**Output data**

Byte	Bit	Name	Default	Function	Comment
0	0	F-DO	0	For safe disconnection of the drive if F-DO is connected to X17	0: F-DO not active 1: F-DO active
	1..7	–	0	Reserved	Do not use!
1	0..7	-	0	Reserved	Do not use!

**Input data**

Byte	Bit	Name	Default	Function	Comment
0, 1	0..7	–	0	Reserved	Do not use!