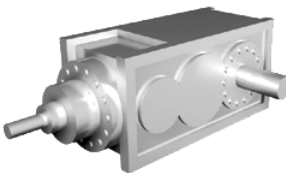
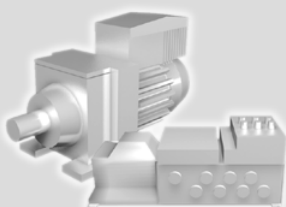
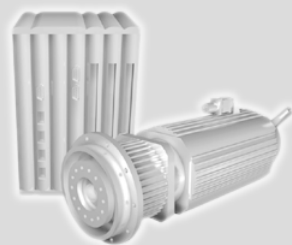
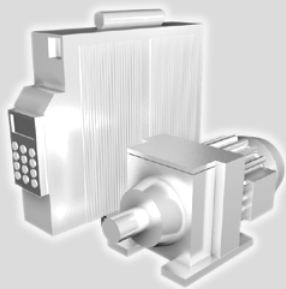


SEW
EURODRIVE

SEW-EURODRIVE GmbH & Co KG
P.O. Box 3023 · D-76642 Bruchsal / Germany
Phone +49 7251 75-0 · Fax +49 7251 75-1970
sew@sew-eurodrive.com

→ www.sew-eurodrive.com



Temperature Sensor PT100

Edition 07/2007

11658614 / EN

Operating Instructions



1 Temperature Sensor PT100

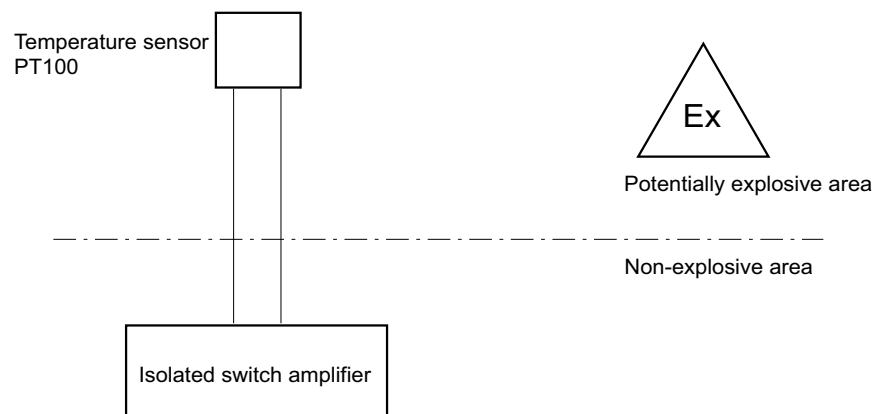
Technical data



Observe the separate manufacturer's documentation of the temperature sensor PT100.



The PT100 temperature sensor must be used in combination with an isolated switch amplifier that enables intrinsically safe operation of the sensor. The isolated switch amplifier must be located outside the potentially explosive atmosphere.



62214AEN



Before startup, check the efficacy of the monitoring function.

Wiring diagram



Observe the separate manufacturer's documentation of the temperature sensor PT100.