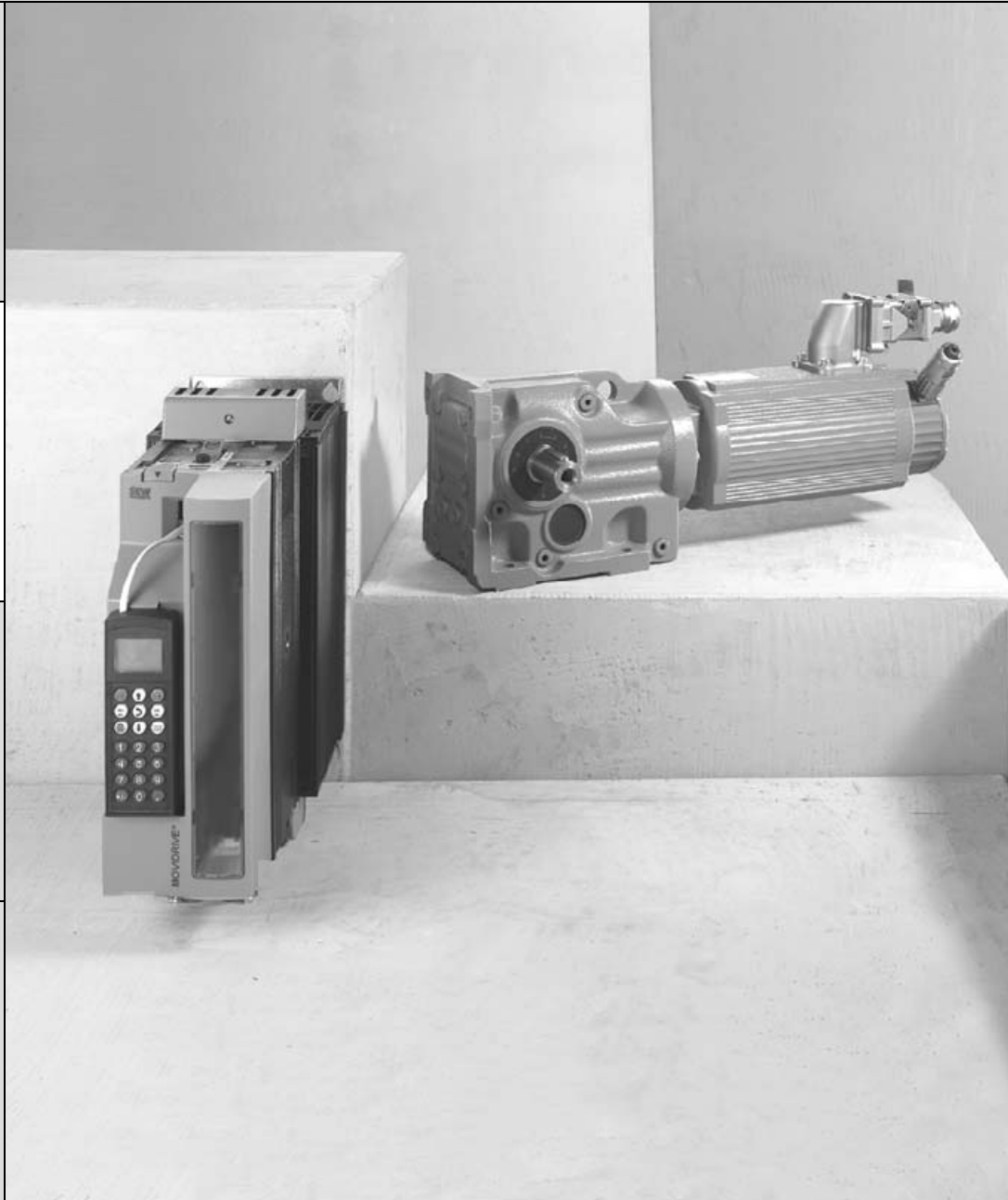
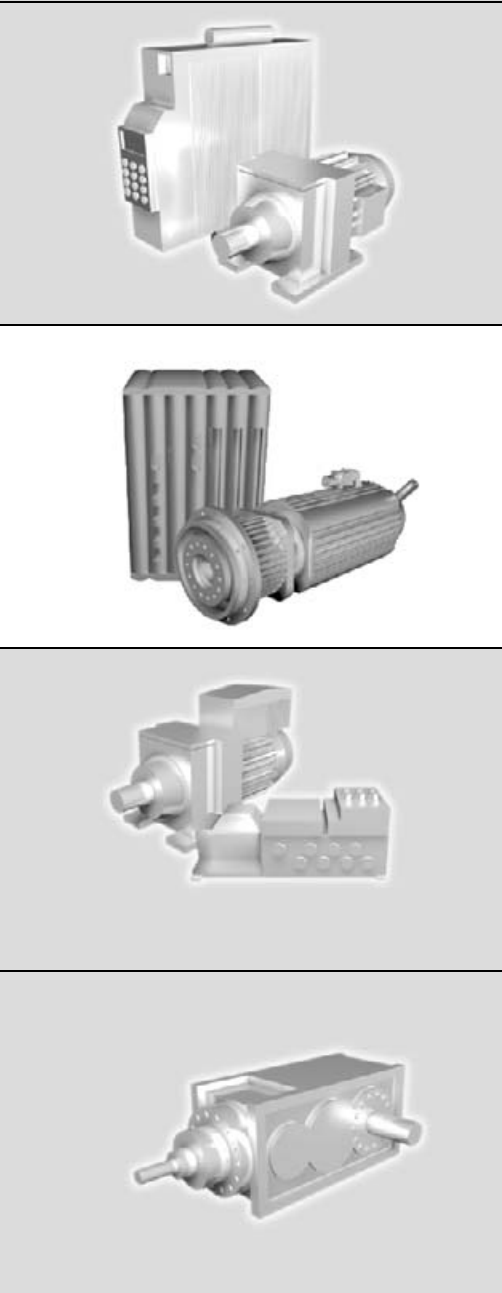




**SEW
EURODRIVE**

SEW-EURODRIVE GmbH & Co KG
P.O. Box 3023 · D-76642 Bruchsal / Germany
Phone +49 7251 75-0 · Fax +49 7251 75-1970
sew@sew-eurodrive.com

→ www.sew-eurodrive.com



DFS/DFY Synchronous Motors

LB230000

Edition 07/2001

11318015 / EN

Correction



1 Electrical Connection



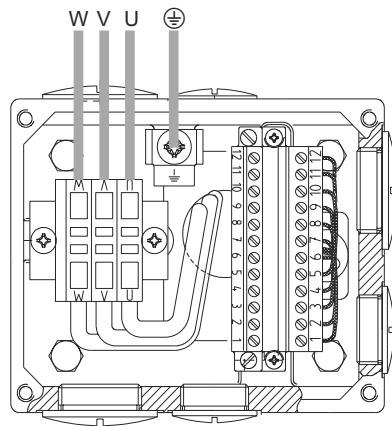
The following changes and corrections have been made to the "DFS/DFY Synchronous Servomotors" operating instructions, publication no. 0919 9519, edition 07/2001.

Please use the data specified in this correction sheet instead of the data in the operating instructions.

Correction on page 7

3.2.1 DFS56 motors with terminal box

- Connect the motor as shown in the wiring diagram: The power lines of the motor are connected to the terminal block using cage clamps, see Figure 1.



54739axx

Figure 1: DFS56 terminal box connection

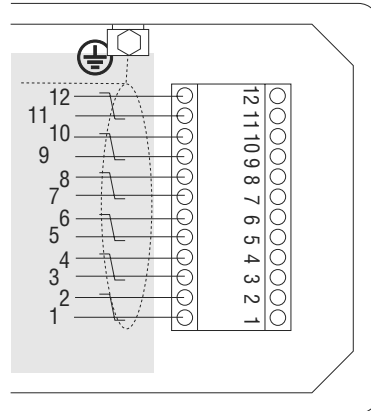
U	U phase
V	V phase
W	W phase
⊕	Protective earth



The direction of rotation cannot be changed by changing the phases.



Connection of resolver / encoder and thermal motor protection for DFS56



54636Axx

Figure 2: Signal lines of resolver / encoder and thermal motor protection

Resolver			Encoder		
1	ref +	Reference	1	cos +	Cosine
2	ref -		2	ref cos	Reference
3	cos +	Cosine	3	sin +	Sine
4	cos -		4	ref sin	Reference
5	sin +	Sine	5	D -	
6	sin -		6	D +	
7	-	-	7	GND	
8	-	-	8	Us	
9	TF/KTY +	Motor protection	9	TF/KTY +	Motor protection
10	TF/KTY -		10	TF/KTY -	
11	- / 6	Brake	11	- / 6	Brake
12	+ /5		12	+ /5	




Correction on page 7

3.2.3 Motors with plug connector

In section 3.2.3 "Motors with plug connector," the connector pin assignment, connection and cores for DFS 56 / DFS 56 ... B in the table to Figure 6 is incorrect.

The following is the correct information:

DFS 56/ DFS 56 ... B

Connector PIN	Connection	Core
1	Phase U	1
4	Phase V	2
3	Phase W	3
	PE	YE/GN
C	Brake +	5
D	Brake -	6

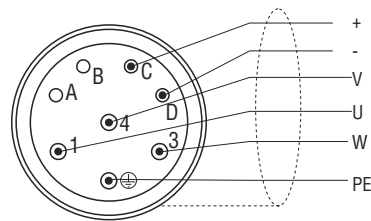


Figure 6: DFS 56 power and brake plug connector

00066BXX

The assignment of connector PIN 3 and connector PIN 4 as well as the core assignment to core 2 and core 3 has been revised.