



**MOVIMOT<sup>®</sup> MM..C Retrofit Kit**

**Edition**

*07/2002*

**Addendum to Operating Instructions**

**1054 9412/ EN**



## 1 Important Notes



- This information does not replace the detailed operating instructions!
- Installation should only be performed by qualified personnel in compliance with the applicable accident prevention regulations and the MOVIMOT® Operating Instructions!
- Only (brake) motors meeting the following criteria may be retrofitted:
  - Rated motor voltage 220 – 240/380 – 415 V<sub>AC</sub>, 50 Hz
  - Rated brake voltage 230 V<sub>AC</sub> bei MM03 – 15  
110 V<sub>AC</sub> bei MM22/30
- Retrofit kits are not available for UL units!

Use the following table to verify that you have the correct retrofit kit for your motor:

1400 1/min



Power / kW	Motor	+ Retrofit kit part number	= MOVIMOT®
0.37	DT71 D4	827 695 1 (MM03C, ⤴)	DT71 D4/.../MM03C
0.55	DT80 K4	827 696 X (MM05C, ⤴)	DT80 K4/.../MM05C
0.75	DT80 N4	827 697 8 (MM07C, ⤴)	DT80 N4/.../MM07C
1.1	DT90 S4	827 698 6 (MM11C, ⤴)	DT90 S4/.../MM11C
1.5	DT90 L4	827 699 4 (MM15,C ⤴)	DT90 L4/.../MM15C
2.2	DV100 M4	827 700 1 (MM22C, ⤴)	DV100 M4/.../MM22C
3.0	DV100 L4	827 701 X (MM30C, ⤴)	DV100 L4/.../MM30C

2900 1/min



Power / kW	Motor	+ Retrofit kit part number	= MOVIMOT®
0.37	–	–	–
0.55	DT71 D4	827 702 8 (MM05C, △)	DT71 D4/.../MM05C
0.75	DT80 K4	827 703 6 (MM07C, △)	DT80 K4/.../MM07C
1.1	DT80 N4	827 704 4 (MM11C, △)	DT80 N4/.../MM11C
1.5	DT90 S4	827 705 2 (MM15C, △)	DT90 S4/.../MM15C
2.2	DT90 L4	827 706 0 (MM22C, △)	DT90 L4/.../MM22C
3.0	DV100 M4	827 707 9 (MM30C, △)	DV100 M4/.../MM30C

### Braking resistor in motors without brake

We recommend connection of an integrated braking resistor BW.. for motor without mechanical brake. The braking resistor is not included in the scope of delivery for the retrofit kit and must be ordered separately:

MOVIMOT® type	Braking resistor	Part number
MM03 to MM15	BW1	822 897 3 <sup>1)</sup>
MM22 to MM30	BW2	823 136 2 <sup>1)</sup>

1) 2 screws M4 x 8 are included in scope of delivery



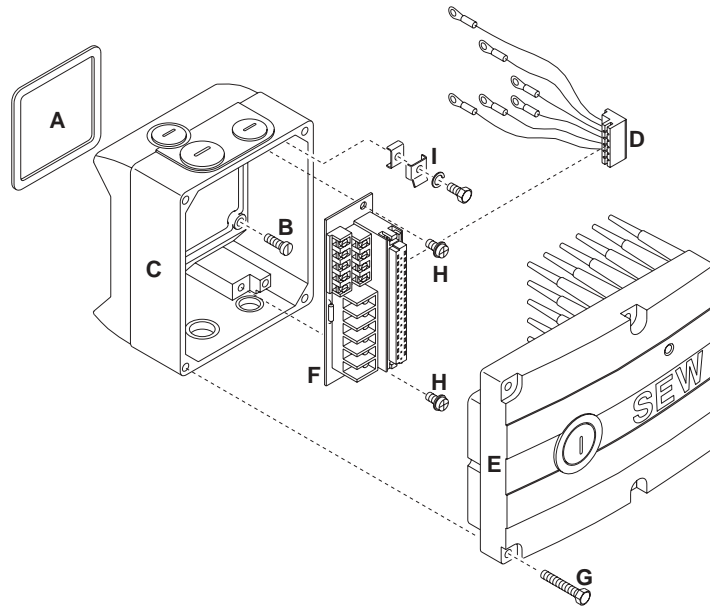
## 2 Scope of Delivery



Use the following illustrations to check the completeness of the scope of delivery.

**Scope of delivery  
of retrofit kit  
MM03 – MM15**

Parts C – I are delivered assembled.

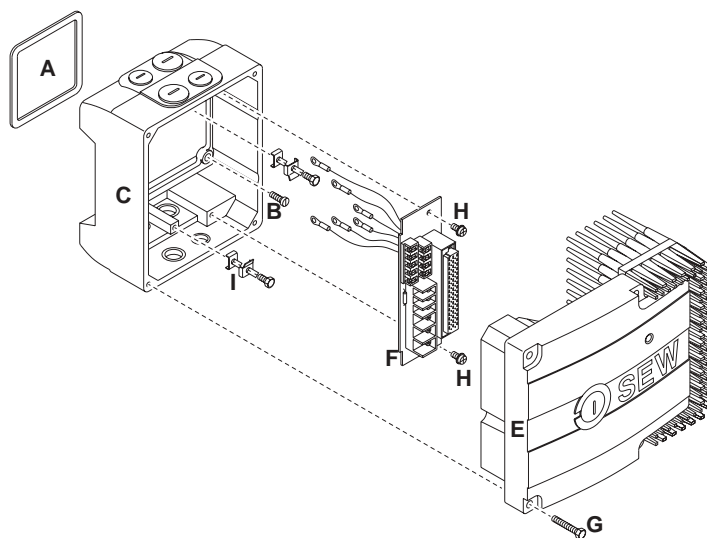


01082DXX

- |   |                     |   |  |   |            |
|---|---------------------|---|--|---|------------|
| A | Terminal box gasket | D | Connection cable with right-angle plug | G | Screws (4) |
| B | Screws (4)          | E | Cover with inverter                    | H | Screws (2) |
| C | Terminal box        | F | Terminal board                         | I | PE screw   |

**Scope of delivery  
of retrofit kit  
MM22 – MM30**

Parts C – I are delivered assembled.



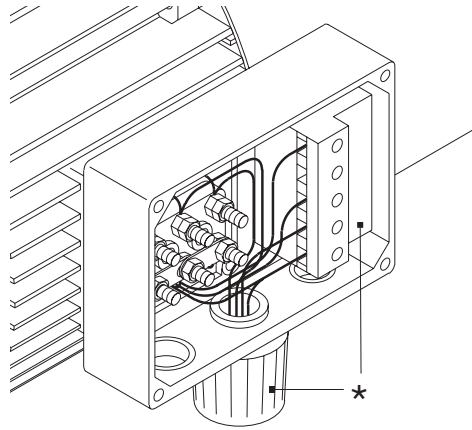
02661BXX

- |   |                     |   |                                      |   |            |
|---|---------------------|---|--------------------------------------|---|------------|
| A | Terminal box gasket | E | Cover with inverter                  | G | Screws (4) |
| B | Screws (4)          | F | Terminal board with connection cable | H | Screws (2) |
| C | Terminal box        | I | PE screw                             | I | PE screw   |



### 3 Assembly

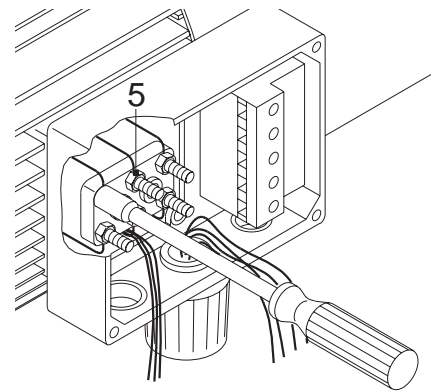
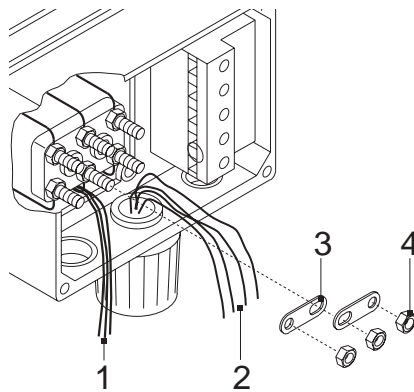
- Remove power supply from motor and prevent unintentional restart.
- Remove terminal box cover and power supply cable.
- For the result, see the following figure.



01083BXX

- \* Brake control with brake motors only (optional)

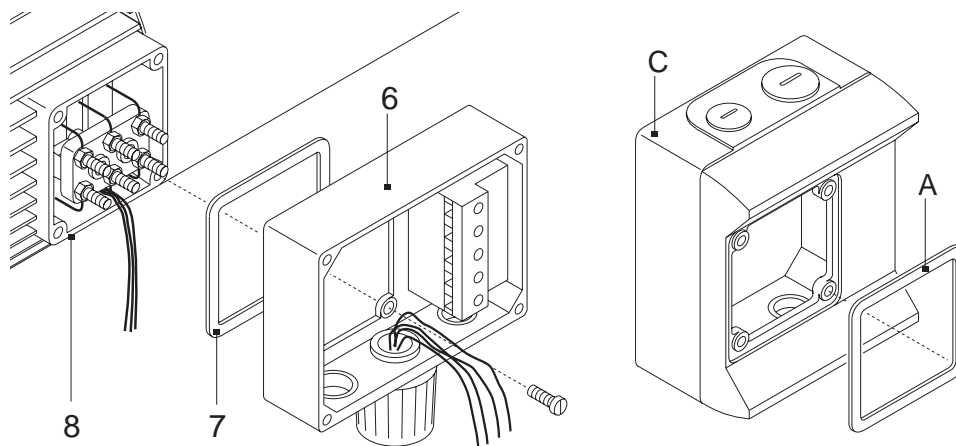
- If brake control is present, remove leads from brake control (1) (2).
- Remove upper nuts (4) and jumpers (3).
- Tighten lower nuts (5).



02662BXX

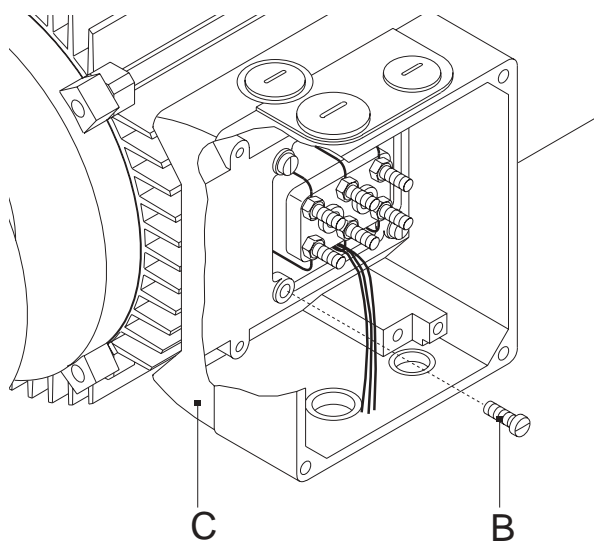


- Remove bottom part of terminal box (6).
- Remove old gasket (7).
- Clean gasket contact surface (8).
- Place new gasket (A) on terminal box (C).



03324AXX

- Mount terminal box (C) and fasten with four screws (B).



01087DXX

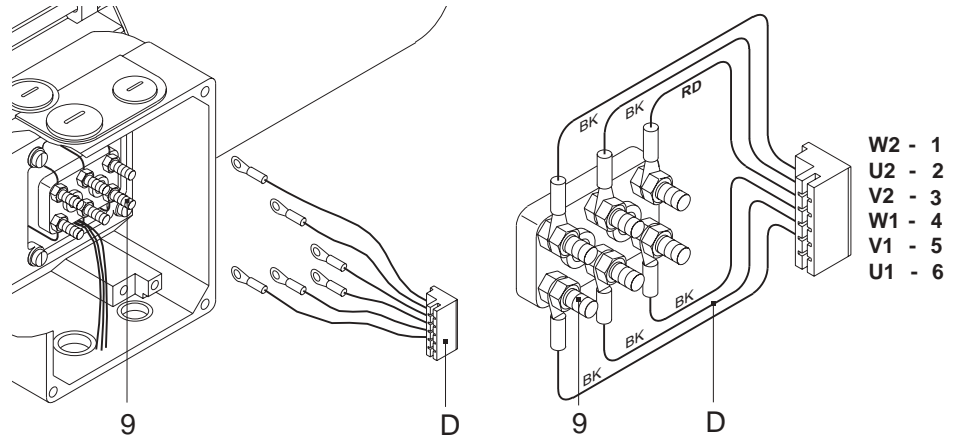


**Caution:** Ensure correct position and placement of gasket (cutout for terminal block on terminal box bottom must point in direction fan guard)!



**With MOVIMOT® retrofit kit MM03 – MM15**

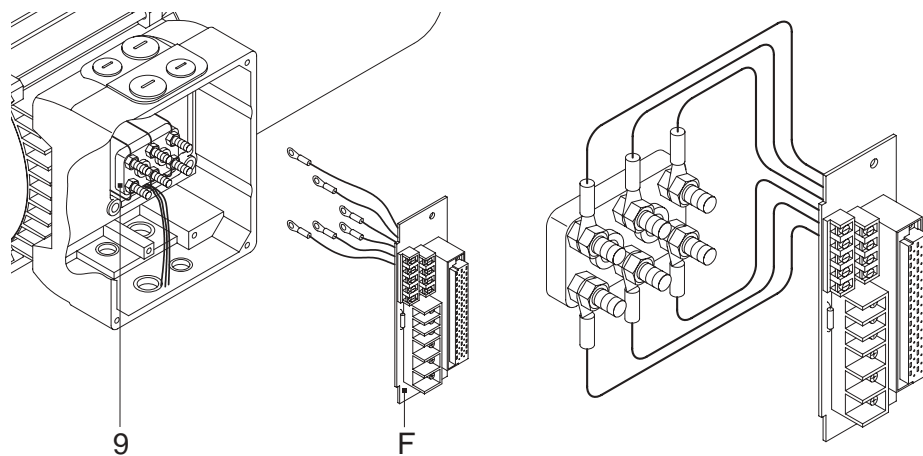
- Install right-angle plug harness (D) on terminal studs (9) and tighten nuts.



01088FXX

**With MOVIMOT® retrofit kit MM22 – MM30**

- Install connection cable of terminal board (F) on terminal studs (9) and tighten nuts.

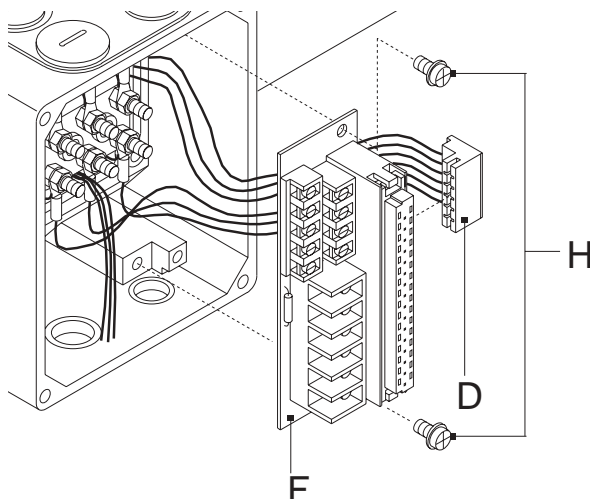


02663BXX



**With MOVIMOT® retrofit kit MM03 – MM15**

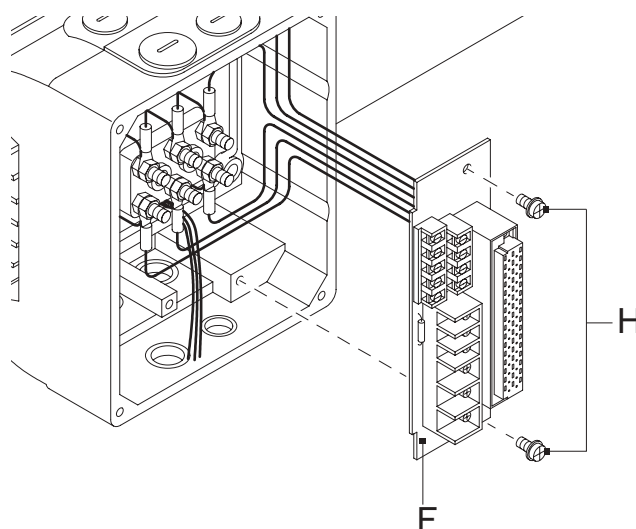
- Place right-angle plug harness (D) on terminal board (F).
- Position terminal board (F) and secure with two screws (H). **Caution: Do not damage or pinch cable.**



01096DXX

**With MOVIMOT® retrofit kit MM22 – MM30**

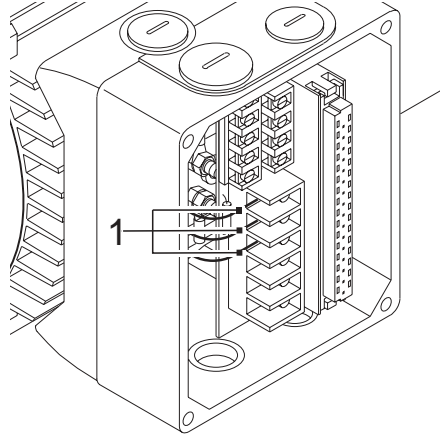
- Insert terminal board (F) and secure with two screws (H). **Caution: Do not damage or pinch cable.**



02666BXX

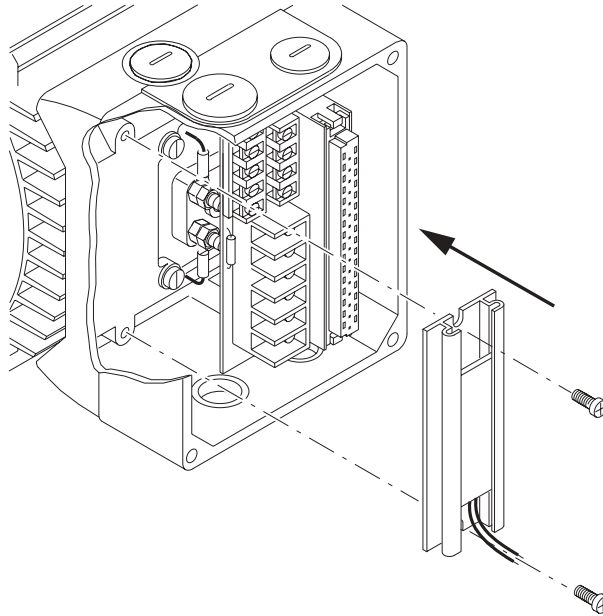


- **For brake motors only:** Connect brake cable (1).
  - red on terminal X3:13
  - white on terminal X3:14
  - blue on terminal X3:15



01097DXX

- **For motors without brake only:** Install braking resistor BW.. and connect to terminals X3:13 and X3:15. Terminal X3:14 is not assigned.



50930AXX