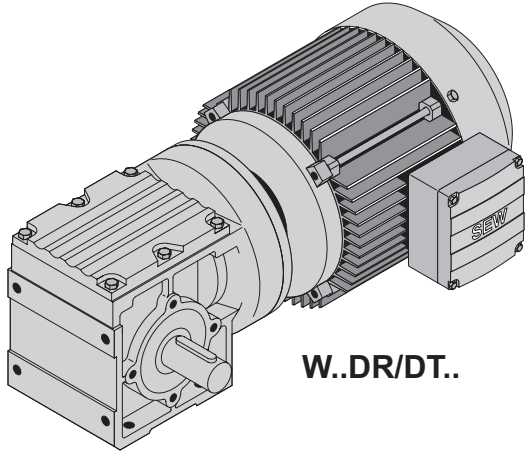
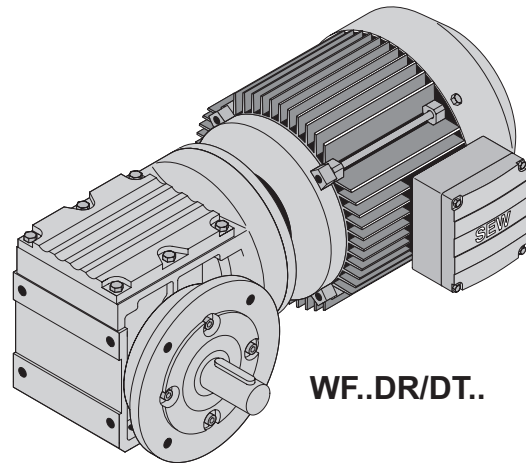


5 W..DR/DT

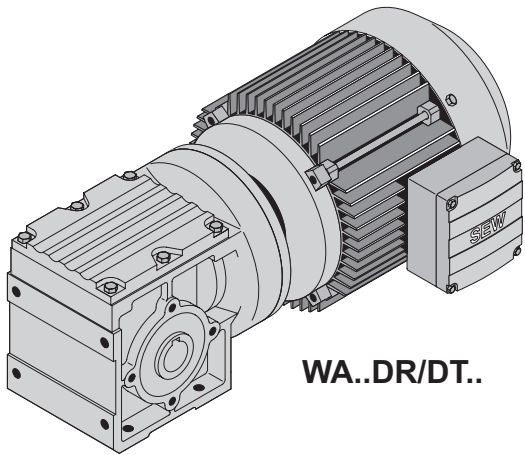
5.1 W, WF, WA, WAF..DR/DT



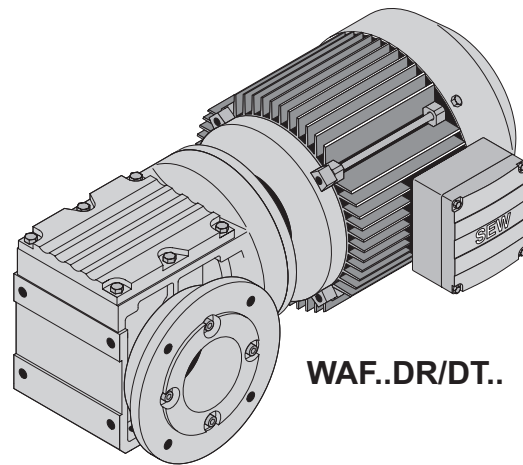
W..DR/DT..



WF..DR/DT..

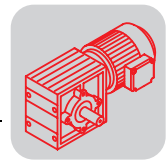


WA..DR/DT..

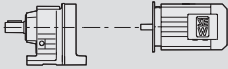


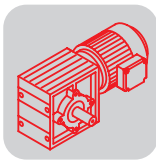
WAF..DR/DT..

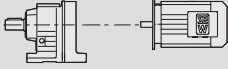
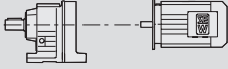
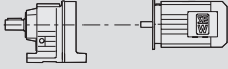
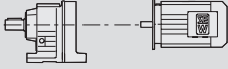
04458AXX

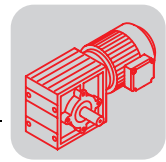


5.2 W..D..4/2 [kW]

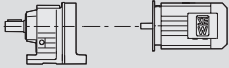
P_m [kW]	n_a [1/min]	M_a [Nm]	i	$F_{Ra}^{1)}$ [N]	SEW f_B		m [kg]
0.15/0.20	18/36	35/26	75.00*	3000	2.0/2.7		
	23/45	33/24	60.00*	3000	2.2/3.0		
	29/56	28/20	48.00*	3000	2.5/3.5	W 30 DR 63M4/2	8.2
	35/69	26/18	39.00*	3000	2.7/3.8	WF 30 DR 63M4/2	8.2
	42/83	22/16	32.50*	3000	3.2/4.5	WA 30 DR 63M4/2	8.2
	50/99	20/14	27.50*	3000	3.5/5.0	WAF 30 DR 63M4/2	8.2
	56/111	19/13	24.50*	3000	3.7/5.3		
	18/36	32/24	75.00*	2200	1.25/1.70		
	23/45	28/20	60.00*	2200	1.45/1.95		
	29/56	26/19	48.00*	2200	1.55/2.2		
	35/69	23/17	39.00*	2200	1.70/2.4		
	42/83	23/16	32.50*	2200	1.75/2.5	W 20 DR 63M4/2	6.6
	50/99	19/14	27.50*	2200	2.1/2.9	WF 20 DR 63M4/2	6.8
	56/111	17/12	24.50*	2190	2.3/3.3	WA 20 DR 63M4/2	6.3
	70/139	15/11	19.50*	2050	2.4/3.3	WAF 20 DR 63M4/2	6.3
	83/164	13/9.1	16.50*	1950	2.3/3.3		
	96/189	12/8.4	14.33	1880	2.5/3.6		
	134/264	9.0/6.2	10.25*	1700	2.8/4.0		
167/330	7.4/5.1	8.20*	1590	2.7/3.9			
0.20/0.28	18/36	47/36	75.00*	3000	1.50/1.95		
	23/45	43/33	60.00*	3000	1.60/2.1		
	29/56	38/28	48.00*	3000	1.85/2.5	W 30 DR 63L4/2	8.9
	35/69	34/26	39.00*	3000	2.0/2.7	WF 30 DR 63L4/2	8.9
	42/83	29/22	32.50*	3000	2.4/3.2	WA 30 DR 63L4/2	8.9
	50/99	27/20	27.50*	3000	2.6/3.5	WAF 30 DR 63L4/2	8.9
	56/111	25/18	24.50*	3000	2.8/3.8		
	70/139	21/15	19.50*	3000	3.3/4.6		
	84/166	18/13	16.33	3000	3.3/4.6		
	18/36	42/33	75.00*	2200	0.95/1.20		
	23/45	37/29	60.00*	2200	1.10/1.40		
	29/56	34/26	48.00*	2200	1.20/1.55		
	35/69	31/24	39.00*	2200	1.30/1.70		
	42/83	30/23	32.50*	2200	1.30/1.75	W 20 DR 63L4/2	7.3
	50/99	26/19	27.50*	2170	1.55/2.1	WF 20 DR 63L4/2	7.4
	56/111	23/17	24.50*	2110	1.70/2.3	WA 20 DR 63L4/2	7.0
	70/139	20/15	19.50*	1980	1.75/2.4	WAF 20 DR 63L4/2	7.0
	83/164	17/13	16.50*	1900	1.70/2.3		
96/189	16/12	14.33	1830	1.90/2.6			
134/264	12/8.7	10.25*	1660	2.1/2.9			
167/330	9.9/7.1	8.20*	1550	2.0/2.8			

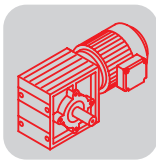


P_m [kW]	n_a [1/min]	M_a [Nm]	i	$F_{Ra}^{1)}$ [N]	SEW f_B		m [kg]		
0.25/0.37	19/36	58/47	75.00*	3000	1.20/1.50				
	23/45	53/43	60.00*	3000	1.30/1.60				
	29/57	46/38	48.00*	3000	1.50/1.85				
	36/70	42/34	39.00*	3000	1.65/2.1				
	43/84	35/29	32.50*	3000	2.0/2.5			W 30 DT 71D4/2	9.8
	51/99	33/26	27.50*	3000	2.1/2.7			WF 30 DT 71D4/2	9.8
	57/111	31/24	24.50*	3000	2.3/2.9			WA 30 DT 71D4/2	9.8
	72/139	26/20	19.50*	3000	2.7/3.5			WAF 30 DT 71D4/2	9.8
	86/167	22/17	16.33	3000	2.7/3.5				
	98/190	20/16	14.33	2920	3.0/3.8				
	137/265	15/12	10.25*	2640	3.3/4.2				
	171/332	12/9.6	8.20*	2460	3.2/4.2				
	23/45	45/38	60.00*	2200	0.90/1.05				
	29/57	42/34	48.00*	2200	0.95/1.15				
	36/70	38/31	39.00*	2200	1.05/1.30				
	43/84	37/30	32.50*	2130	1.05/1.35			W 20 DT 71D4/2	8.2
	51/99	31/25	27.50*	2070	1.25/1.60			WF 20 DT 71D4/2	8.4
57/111	28/23	24.50*	2010	1.40/1.75	WA 20 DT 71D4/2	7.9			
72/139	24/19	19.50*	1910	1.45/1.80	WAF 20 DT 71D4/2	7.9			
85/165	21/17	16.50*	1830	1.40/1.80					
98/190	20/15	14.33	1770	1.55/1.95					
137/265	15/12	10.25*	1610	1.70/2.2					
171/332	12/9.4	8.20*	1520	1.65/2.1					
0.40/0.63	23/45	86/74	60.00*	3000	0.80/0.95				
	29/56	75/64	48.00*	3000	0.95/1.10				
	50/98	53/45	27.50*	3000	1.30/1.55			W 30 DT 80K4/2	12
	56/110	50/42	24.50*	3000	1.40/1.70			WF 30 DT 80K4/2	12
	84/165	36/30	16.33	2880	1.65/2.0			WA 30 DT 80K4/2	12
	96/188	33/27	14.33	2790	1.85/2.2			WAF 30 DT 80K4/2	12
	135/263	25/20	10.25*	2540	2.0/2.5				
	168/329	20/17	8.20*	2390	2.0/2.4				
0.55/0.88	50/98	73/62	27.50*	3000	0.95/1.10				
	56/110	68/58	24.50*	2970	1.05/1.20			W 30 DT 80N4/2	13
	84/165	50/42	16.33	2730	1.20/1.45			WF 30 DT 80N4/2	13
	96/188	45/38	14.33	2660	1.35/1.60			WA 30 DT 80N4/2	13
	135/263	34/28	10.25*	2450	1.45/1.75			WAF 30 DT 80N4/2	13
	168/329	28/23	8.20*	2310	1.45/1.75				

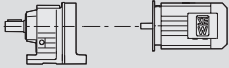
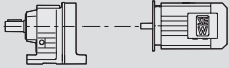
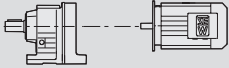


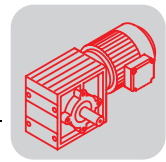
5.3 W..D..8/4 [kW]

P_m [kW]	n_a [1/min]	M_a [Nm]	i	$F_{Ra}^{1)}$ [N]	SEW f_B		m [kg]
0.10/0.18	8.7/18	44/42	75.00*	3000	1.60/1.65		
	11/23	41/39	60.00*	3000	1.70/1.80		
	14/29	36/34	48.00*	3000	1.95/2.1	W 30 DT 71D8/4	9.8
	17/35	33/31	39.00*	3000	2.1/2.3	WF 30 DT 71D8/4	9.8
	20/42	28/26	32.50*	3000	2.5/2.7	WA 30 DT 71D8/4	9.8
	24/50	26/24	27.50*	3000	2.7/2.9	WAF 30 DT 71D8/4	9.8
	27/56	25/22	24.50*	3000	2.9/3.1		
	33/71	21/19	19.50*	3000	3.3/3.7		
	8.7/18	39/38	75.00*	2200	1.05/1.05		
	11/23	34/33	60.00*	2200	1.15/1.20		
	14/29	32/30	48.00*	2200	1.25/1.30		
	17/35	30/28	39.00*	2200	1.35/1.45	W 20 DT 71D8/4	8.2
	20/42	30/27	32.50*	2200	1.35/1.45	WF 20 DT 71D8/4	8.4
	24/50	25/23	27.50*	2200	1.60/1.75	WA 20 DT 71D8/4	7.9
27/56	23/21	24.50*	2200	1.75/1.95	WAF 20 DT 71D8/4	7.9	
33/71	20/18	19.50*	2200	1.80/1.95			
39/84	17/16	16.50*	2200	1.75/1.95			
45/96	16/14	14.33	2200	1.90/2.1			
63/135	12/11	10.25*	2080	2.1/2.3			
79/168	10/8.8	8.20*	1950	2.0/2.3			
0.16/0.30	8.7/18	70/70	75.00*	3000	1.00/1.00		
	11/23	66/65	60.00*	3000	1.05/1.10		
	14/29	58/56	48.00*	3000	1.20/1.25	W 30 DT 80K8/4	12
	24/50	42/40	27.50*	3000	1.65/1.75	WF 30 DT 80K8/4	12
	27/56	39/37	24.50*	3000	1.80/1.90	WA 30 DT 80K8/4	12
	40/84	29/27	16.33	3000	2.1/2.2	WAF 30 DT 80K8/4	12
	45/96	27/25	14.33	3000	2.3/2.4		
	63/135	20/19	10.25*	3000	2.5/2.7		
	79/168	17/15	8.20*	3000	2.4/2.7		
	0.22/0.40	14/29	77/74	48.00*	3000	0.90/0.95	
24/51		56/53	27.50*	3000	1.25/1.35	W 30 DT 80N8/4	13
27/57		53/49	24.50*	3000	1.35/1.45	WF 30 DT 80N8/4	13
41/86		39/36	16.33	3000	1.55/1.70	WA 30 DT 80N8/4	13
47/98		36/32	14.33	3000	1.70/1.85	WAF 30 DT 80N8/4	13
65/137		27/24	10.25*	3000	1.85/2.1		
82/171		22/20	8.20*	2980	1.80/2.0		

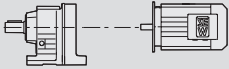
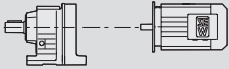
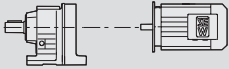


5.4 W..D..6/2 [kW]

P_m [kW]	n_a [1/min]	M_a [Nm]	i	$F_{Ra}^{1)}$ [N]	SEW f_B		m [kg]
0.08/0.25	12/36	27/32	75.00*	3000	2.6/2.2		9.8
	15/46	25/29	60.00*	3000	2.8/2.4		
	19/57	22/25	48.00*	3000	3.2/2.8		
	23/70	20/23	39.00*	3000	3.5/3.1		
	27/84	17/19	32.50*	3000	4.1/3.7		
	32/99	16/18	27.50*	3000	4.4/4.0		
	12/36	24/29	75.00*	2200	1.65/1.35		
	15/46	21/25	60.00*	2200	1.90/1.60		
	19/57	20/23	48.00*	2200	2.0/1.75		
	23/70	18/21	39.00*	2200	2.2/1.90		
	27/84	18/20	32.50*	2200	2.2/2.0		
	32/99	15/17	27.50*	2200	2.7/2.4		
	36/111	14/15	24.50*	2140	2.9/2.6		
	46/140	12/13	19.50*	2010	3.0/2.7		
54/165	10/11	16.50*	1910	2.9/2.7			
62/190	9.6/10	14.33	1850	3.1/2.9			
87/266	7.2/7.7	10.25*	1670	3.5/3.3			
109/333	6.0/6.3	8.20*	1560	3.3/3.2			
0.13/0.40	12/37	44/50	75.00*	3000	1.60/1.40		12
	15/46	41/46	60.00*	3000	1.70/1.50		
	19/58	36/40	48.00*	3000	1.95/1.75		
	32/101	26/28	27.50*	3000	2.7/2.5		
	36/113	24/26	24.50*	3000	2.9/2.7		
	54/170	18/19	16.33	2990	3.4/3.2		
	62/194	16/17	14.33	2880	3.7/3.6		
	87/271	12/13	10.25*	2610	4.1/4.0		
	109/339	10/10	8.20*	2440	4.0/3.9		
	0.20/0.60	12/37	68/75	75.00*	3000		
15/47		63/69	60.00*	3000	1.10/1.00		
19/58		55/59	48.00*	3000	1.25/1.20		
32/101		40/41	27.50*	3000	1.75/1.70		
36/114		37/38	24.50*	3000	1.90/1.85		
54/171		27/28	16.33	2870	2.2/2.2		
62/195		25/25	14.33	2780	2.4/2.4		
87/272		19/19	10.25*	2530	2.7/2.7		
109/340		15/15	8.20*	2370	2.6/2.6		



5.5 W..D..8/2 [kW]

P_m [kW]	n_a [1/min]	M_a [Nm]	i	$F_{Ra}^{1)}$ [N]	SEW f_B		m [kg]	
0.06/0.25	9.0/36	26/33	75.00*	3000	2.8/2.2			
	11/45	24/30	60.00*	3000	2.9/2.4			
	14/56	21/26	48.00*	3000	3.3/2.7			W 30 DT 71D8/2 9.8
	17/68	19/23	39.00*	3000	3.6/3.0			WF 30 DT 71D8/2 9.8
	21/82	16/20	32.50*	3000	4.4/3.6			WA 30 DT 71D8/2 9.8
	25/97	15/18	27.50*	3000	4.6/3.9			WAF 30 DT 71D8/2 9.8
	28/109	14/17	24.50*	3000	4.9/4.2			
	9.0/36	23/30	75.00*	2200	1.75/1.35			
	11/45	20/26	60.00*	2200	2.0/1.55			
	14/56	19/24	48.00*	2200	2.2/1.70			
	17/68	17/21	39.00*	2200	2.3/1.90			
	21/82	17/21	32.50*	2200	2.3/1.95			W 20 DT 71D8/2 8.2
	25/97	14/17	27.50*	2200	2.8/2.3			WF 20 DT 71D8/2 8.4
	28/109	13/16	24.50*	2150	3.1/2.6			WA 20 DT 71D8/2 7.9
35/137	11/13	19.50*	2020	3.1/2.6	WAF 20 DT 71D8/2 7.9			
41/162	10/12	16.50*	1930	3.0/2.6				
47/186	9.3/11	14.33	1860	3.2/2.8				
66/260	7.0/7.9	10.25*	1680	3.6/3.2				
82/326	5.8/6.5	8.20*	1570	3.5/3.1				
0.10/0.40	8.8/36	43/52	75.00*	3000	1.60/1.35			
	11/45	41/48	60.00*	3000	1.75/1.45			
	14/56	36/41	48.00*	3000	1.95/1.70			W 30 DT 80K8/2 12
	24/98	26/29	27.50*	3000	2.7/2.5			WF 30 DT 80K8/2 12
	27/110	24/27	24.50*	3000	2.9/2.6			WA 30 DT 80K8/2 12
	40/164	18/19	16.33	3000	3.3/3.1			WAF 30 DT 80K8/2 12
	46/187	16/17	14.33	2910	3.7/3.5			
	64/262	13/13	10.25*	2640	4.0/3.9			
	80/327	10/11	8.20*	2460	3.9/3.8			
	0.15/0.60	8.8/36	65/77	75.00*	3000			1.10/0.90
11/45		61/71	60.00*	3000	1.15/1.00			
14/56		53/61	48.00*	3000	1.30/1.15	W 30 DT 80N8/2 13		
24/99		39/42	27.50*	3000	1.80/1.65	WF 30 DT 80N8/2 13		
27/111		37/39	24.50*	3000	1.90/1.80	WA 30 DT 80N8/2 13		
40/166		27/28	16.33	2890	2.2/2.1	WAF 30 DT 80N8/2 13		
46/189		25/26	14.33	2800	2.4/2.3			
64/264		19/19	10.25*	2550	2.7/2.6			
80/330		15/16	8.20*	2390	2.6/2.6			