

- This additional information does not replace the detailed operating instructions!
- Installation and startup only by trained personnel observing all applicable accident prevention regulations and operating instructions!



DCD12A Damping Module

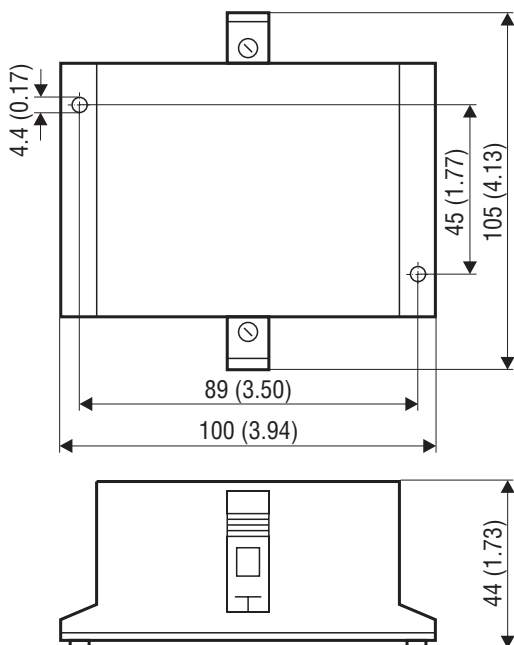
(Part number: 826 903 3)

- The DCD12A damping module is a component damping the DC link circuit of the MOVIDRIVE® drive inverter (400/500 V units only).
- If more than six MOVIDRIVE® drive inverters are connected via the DC link, each unit of size 1 (0015-5A3 ... 0040-5A3) and size 2 (0055-5A3 ... 0110-5A3) has to be connected with a DCD12A damping module at X4:8 (+U_Z).
- The damping module may not be connected to MOVIDRIVE® drive inverters sizes 3 to 5 (0150-503 ... 0750-503).

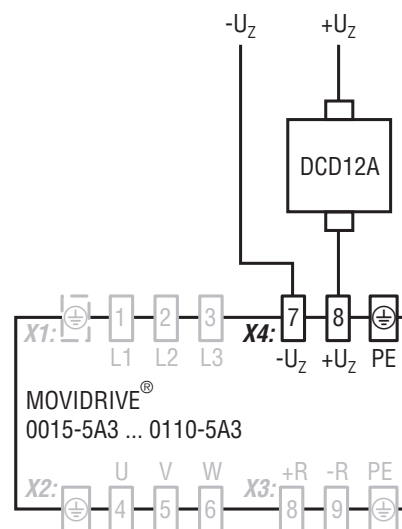
Technical Data:

Damping module type	Rated throughput current	Electrical connection	Weight
DCD12A	30 A _{DC}	Terminal screw 6 mm ² (AWG10)	0.5 kg (1.1 lb)

Dimension drawing, in mm (in):



Installation note:



Random mounting position

03620AXX

03621AXX