

Addendum to the Operating Instructions Touch Guard for Flat-Pack Braking Resistors (Panel Type)

Edition 12/98

- This additional information does not replace the detailed operating instructions!
- Equipment may only be installed by qualified electrical personnel in compliance with the applicable accident prevention regulations and operating instructions!



Touch Guard for Flat-Pack Braking Resistors (Panel Type)

A touch guard is now available for flat-pack (panel type) braking resistors.

Touch guard	BS003	BS005
Part number	813 151 1	813 152 X
For braking resistor types	BW200-003 / BW100-003	BW200-005 / BW100-005 / BW047-005

To mount the touch guard a DIN rail is available as accessory equipment from SEW (part number-nummer 822 194 4)..

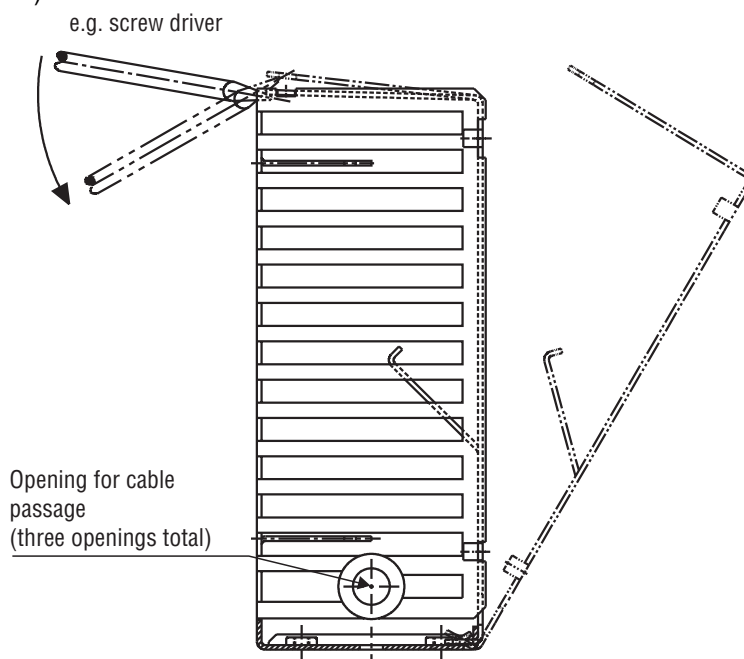


Fig.1: Opening the touch guard

00571AEN

Mounting Instructions:

1. Mount the touch guard in an appropriate manner, e.g. DIN rail mounting.
2. Open the housing cover.
3. Place the braking resistor on the lugs provided.
4. Feed the connecting cable through one of the three openings.
5. Close the housing cover and snap into place, the braking resistor is fixed in position by the closing cover.
6. Connect the cable to the MOVIDRIVE®, MOVITRAC® 31C oder MOVIDYN® unit.