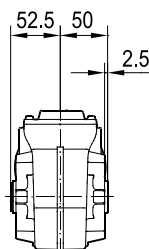
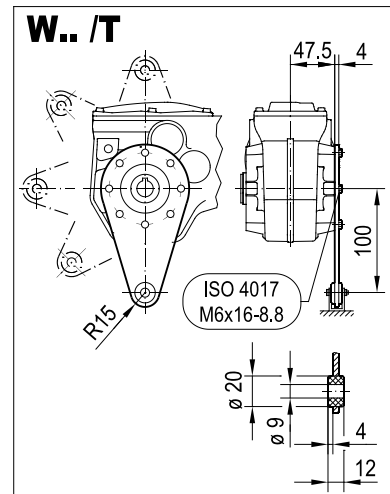
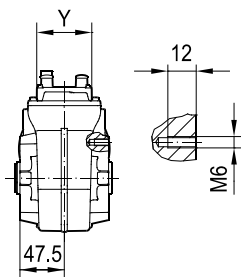
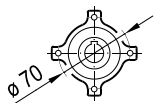
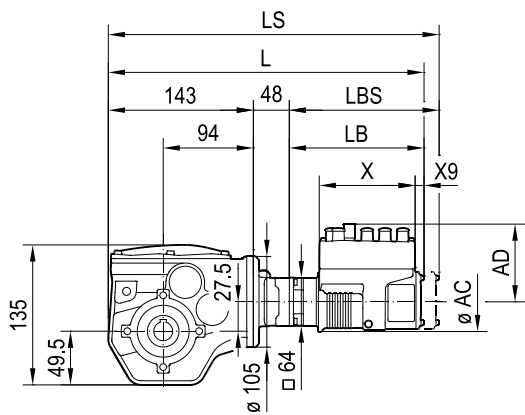
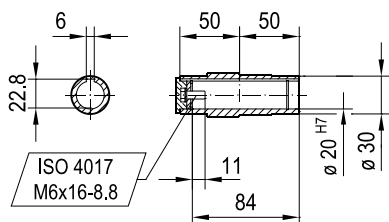


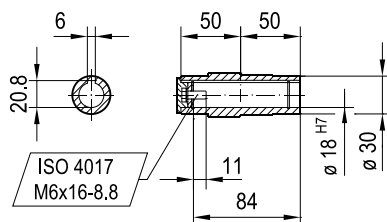
WA19..



$\varnothing 20$ H7

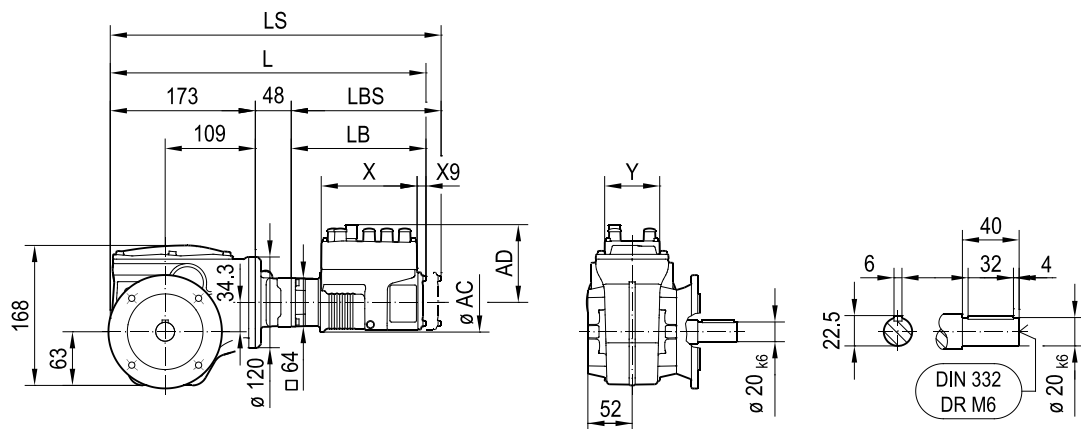


$\varnothing 18$ H7

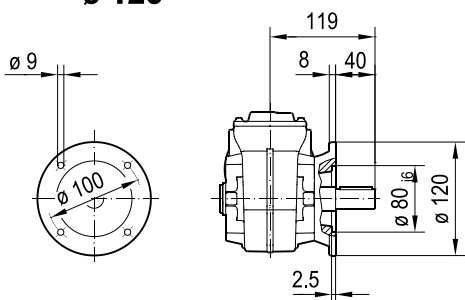


	ADC DCA...-4LP		
	DCA63M-4LP	DCA63L-4LP	DCA80M-4LP
AC	75	75	93
AD	88	88	97
L	388	408	408
LS	408	428	438
LB	198	218	218
LBS	218	238	248
X	127	127	127
X9	12	12	12
Y	73	73	73
Y1	5.5	5.5	5.5

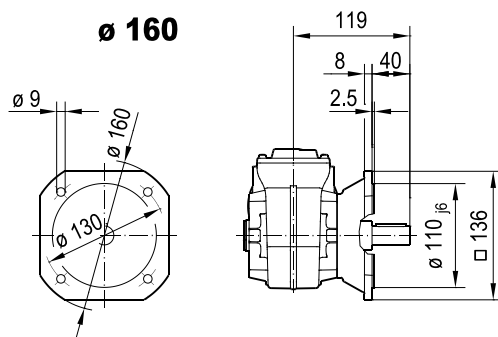
WF29..



∅ 120

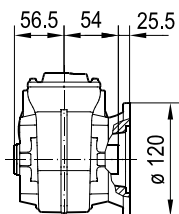


∅ 160

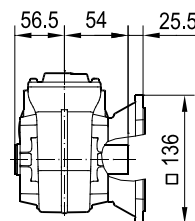


WAF29..

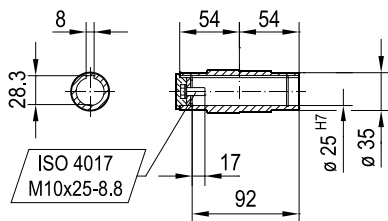
∅ 120



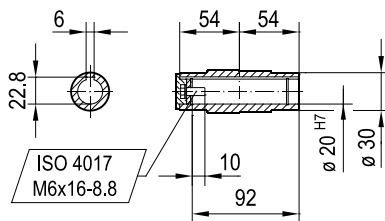
∅ 160



∅ 25 H7

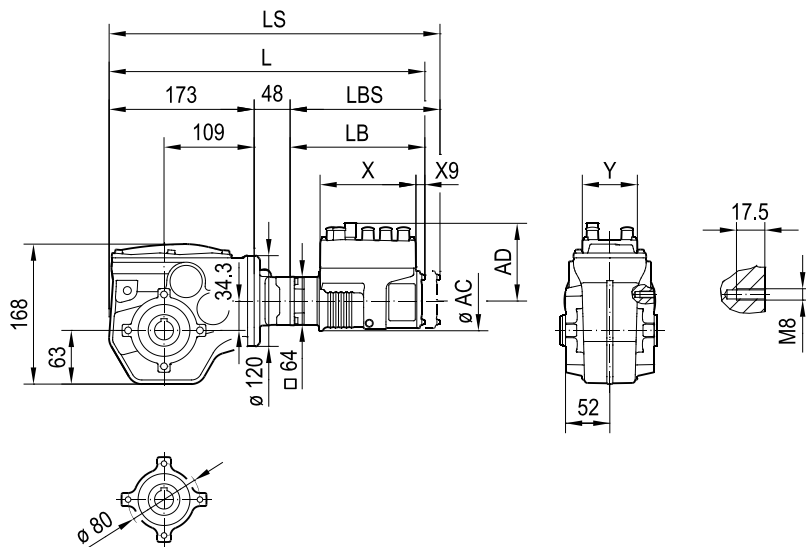


∅ 20 H7

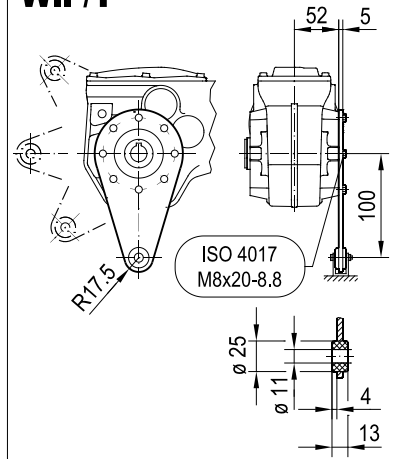


	ADC DCA...-4LP		
	DCA63M-4LP	DCA63L-4LP	DCA80M-4LP
AC	75	75	93
AD	88	88	97
L	418	438	438
LS	438	458	468
LB	198	218	218
LBS	218	238	248
X	127	127	127
X9	12	12	12
Y	73	73	73
Y1	5.5	5.5	5.5

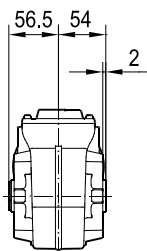
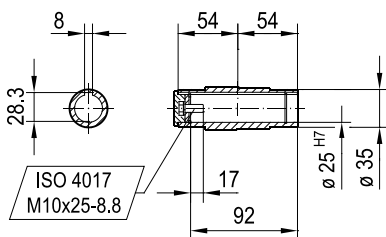
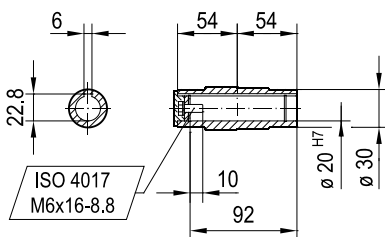
WA29..



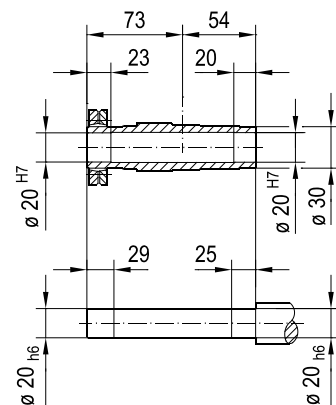
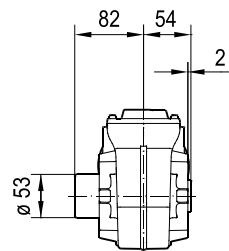
W.. / T



WA29..

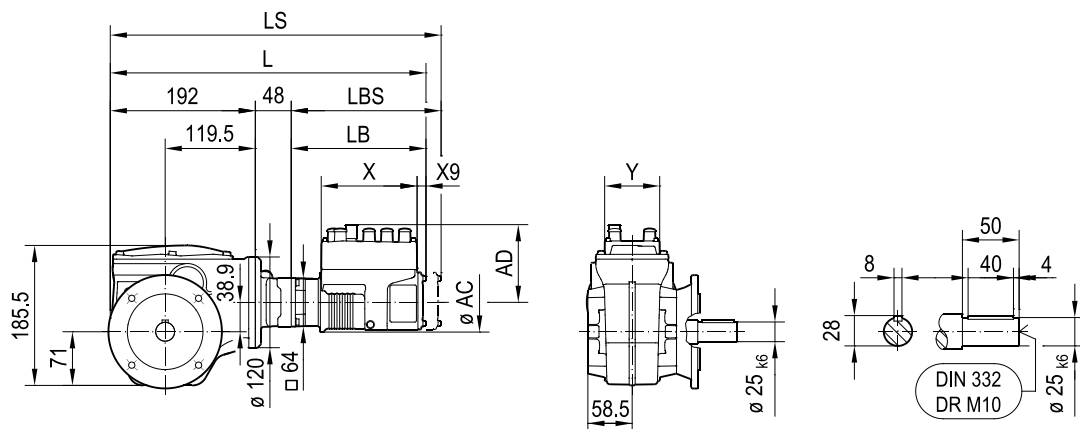
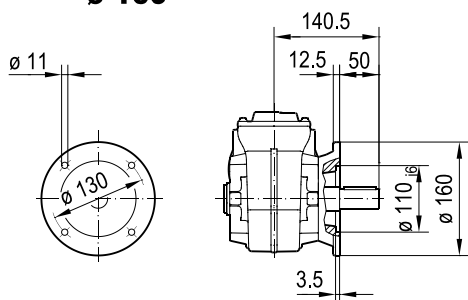
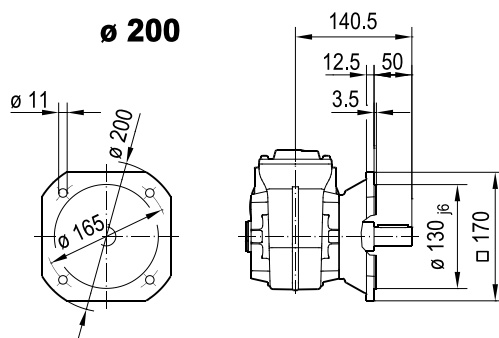

 $\varnothing 25^{H7}$

 $\varnothing 20^{H7}$


WH29..

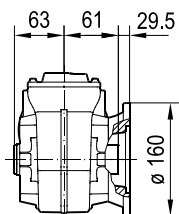
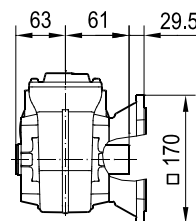
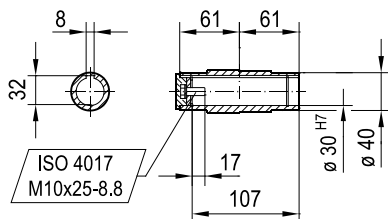
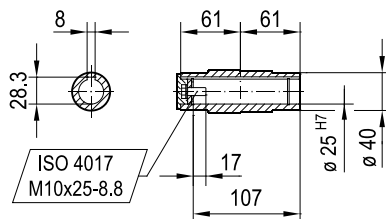


	ADC DCA...-4LP		
	DCA63M-4LP	DCA63L-4LP	DCA80M-4LP
AC	75	75	93
AD	88	88	97
L	418	438	438
LS	438	458	468
LB	198	218	218
LBS	218	238	248
X	127	127	127
X9	12	12	12
Y	73	73	73
Y1	5.5	5.5	5.5

WF39..

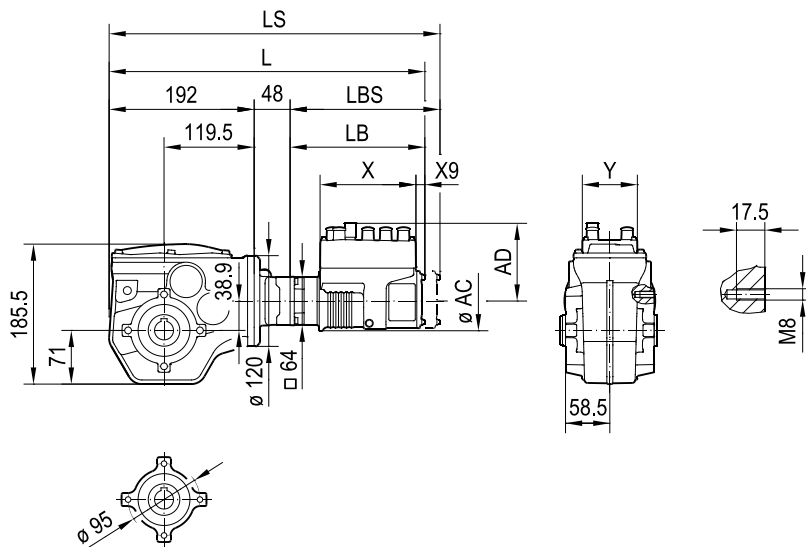
 **$\varnothing 160$**  **$\varnothing 200$** 

WAF39..

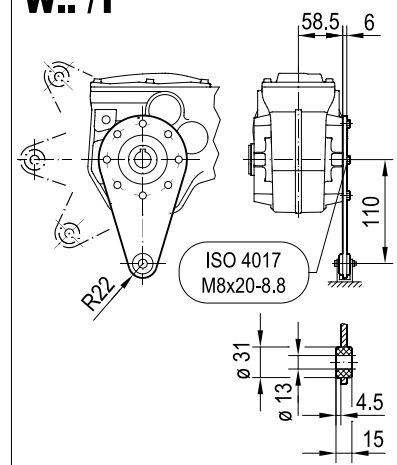
 $\varnothing 160$  **$\varnothing 200$**  **$\varnothing 30^{H7}$
DIN 6885-3** **$\varnothing 25^{H7}$** 

	ADC DCA...4LP		
	DCA63M-4LP	DCA63L-4LP	DCA80M-4LP
AC	75	75	93
AD	88	88	97
L	437	457	457
LS	457	477	487
LB	198	218	218
LBS	218	238	248
X	127	127	127
X9	12	12	12
Y	73	73	73
Y1	5.5	5.5	5.5

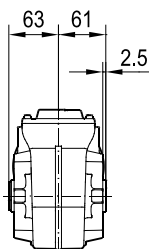
WA39..



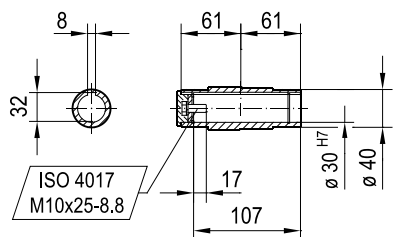
W.. /T



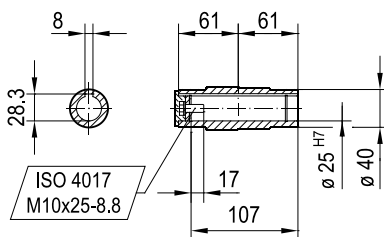
WA39..



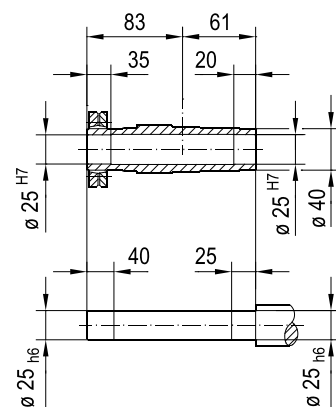
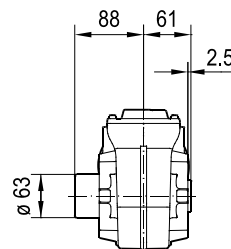
ϕ 30 H7
DIN 6885-3



ϕ 25 H7

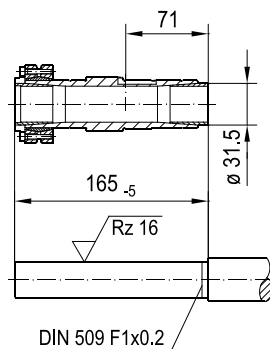
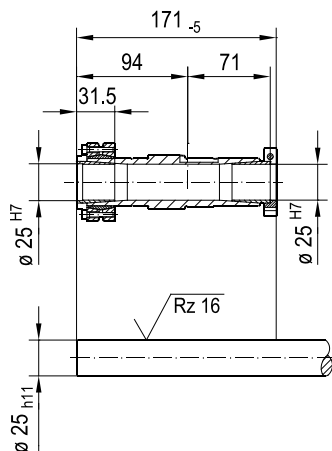
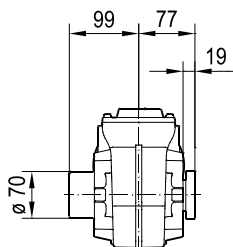
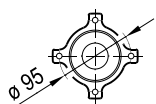
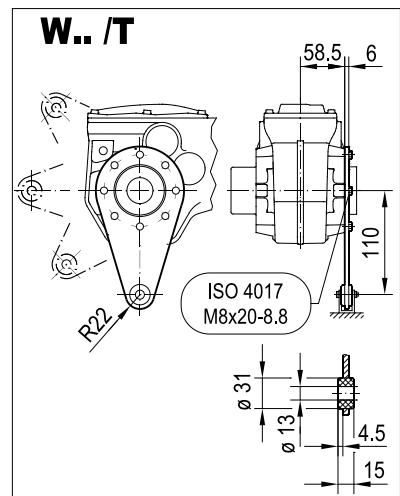
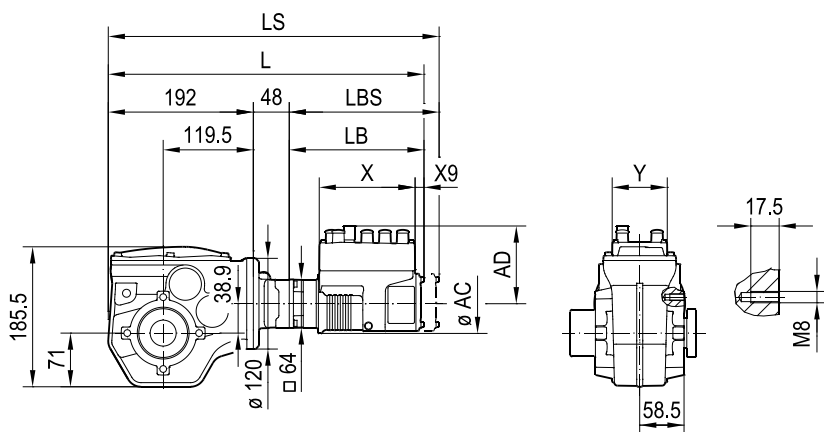


WH39..



	ADC DCA...-4LP		
	DCA63M-4LP	DCA63L-4LP	DCA80M-4LP
AC	75	75	93
AD	88	88	97
L	437	457	457
LS	457	477	487
LB	198	218	218
LBS	218	238	248
X	127	127	127
X9	12	12	12
Y	73	73	73
Y1	5.5	5.5	5.5

WT39..



	ADC DCA..-4LP		
	DCA63M-4LP	DCA63L-4LP	DCA80M-4LP
AC	75	75	93
AD	88	88	97
L	437	457	457
LS	457	477	487
LB	198	218	218
LBS	218	238	248
X	127	127	127
X9	12	12	12
Y	73	73	73
Y1	5.5	5.5	5.5