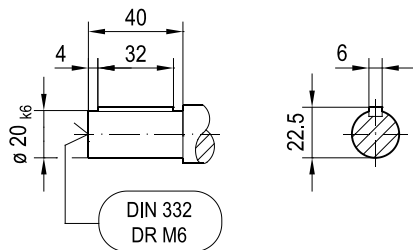
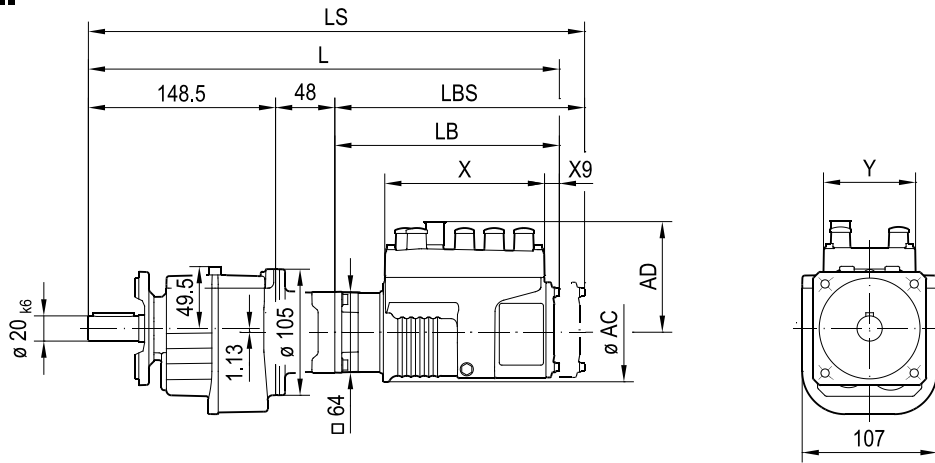
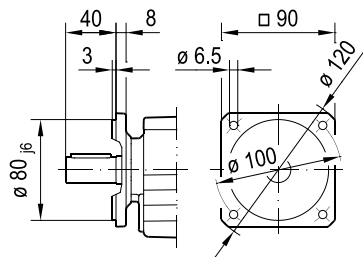
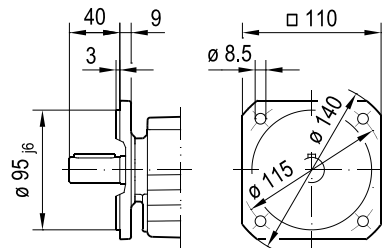
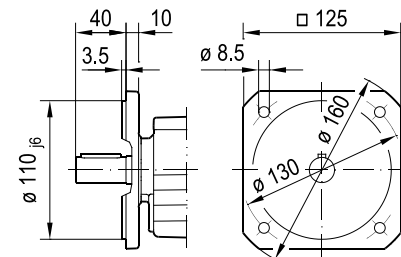


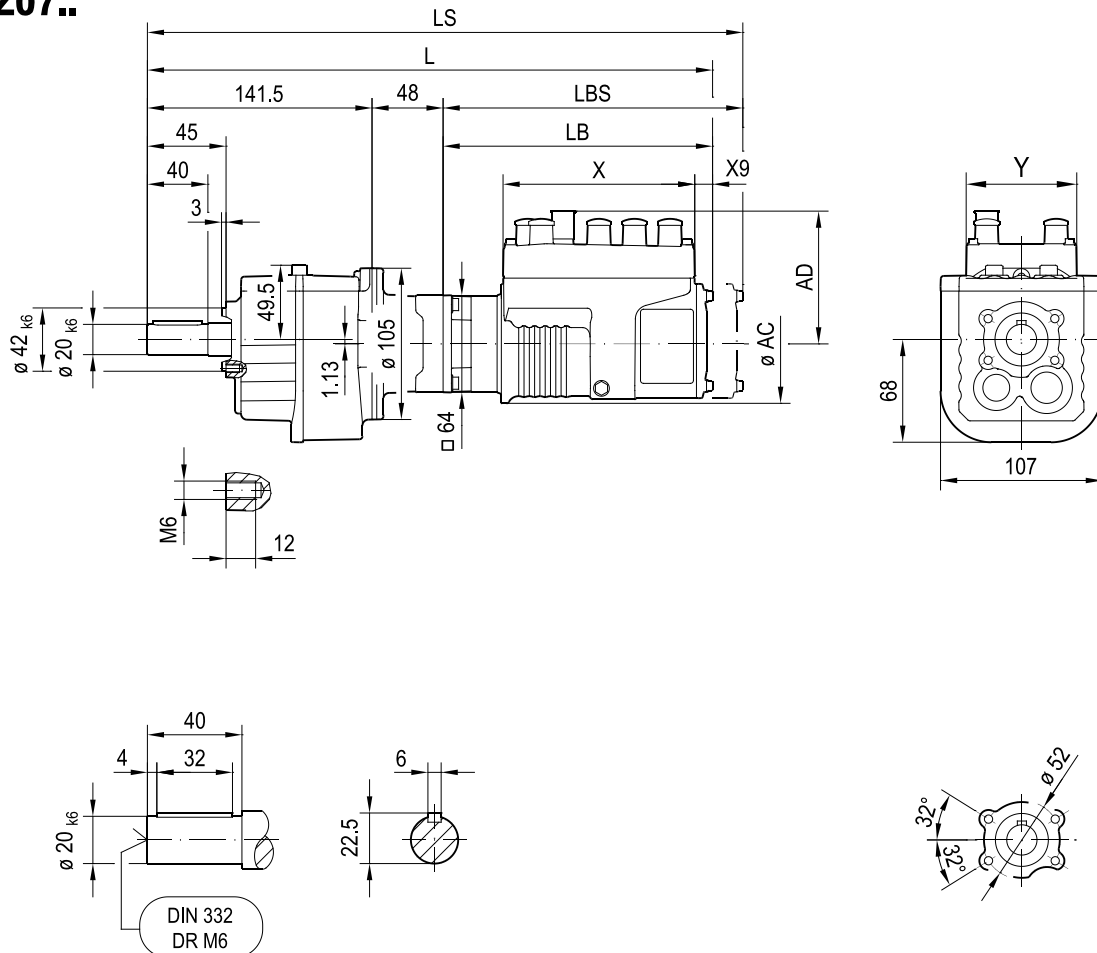
RF07..

 **$\varnothing 120$**  **$\varnothing 140$**  **$\varnothing 160$** 

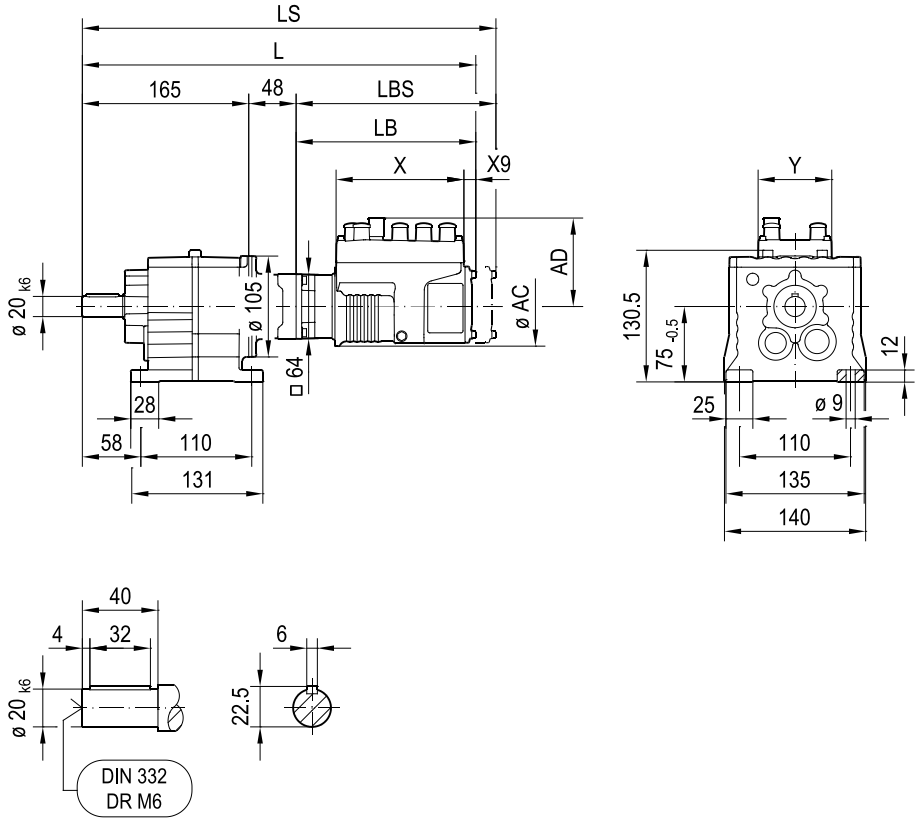
ADC DCA...-4LP

	DCA63L-4LP	DCA80M-4LP
AC	75	93
AD	88	97
L	414	414
LS	434	444
LB	218	218
LBS	238	248
X	127	127
X9	12	12
Y	73	73
Y1	5.5	5.5

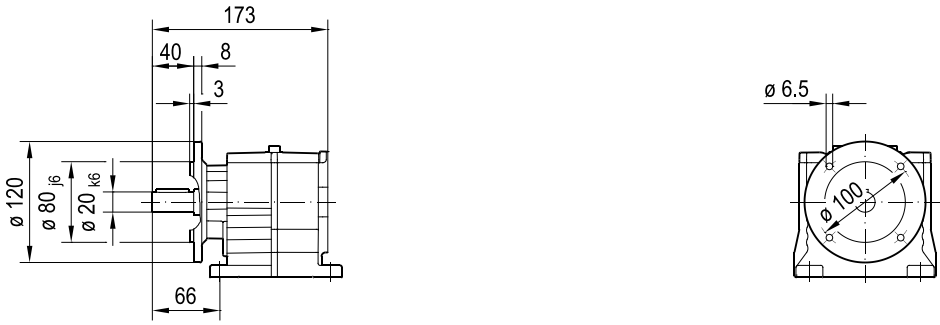
RZ07..



	ADC DCA...-4LP	
	DCA63L-4LP	DCA80M-4LP
AC	75	93
AD	88	97
L	407	407
LS	427	437
LB	218	218
LBS	238	248
X	127	127
X9	12	12
Y	73	73
Y1	5.5	5.5

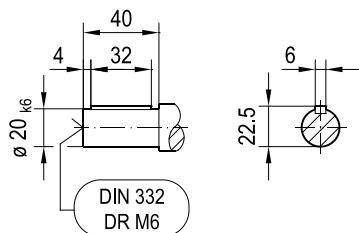
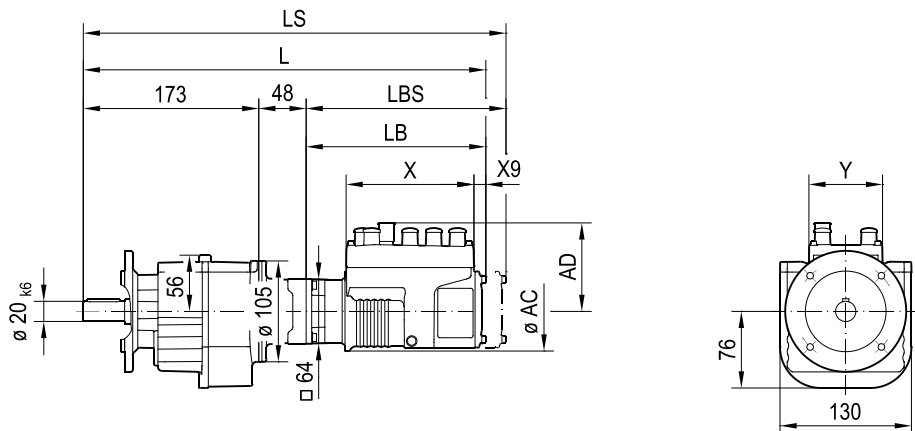


R17F..

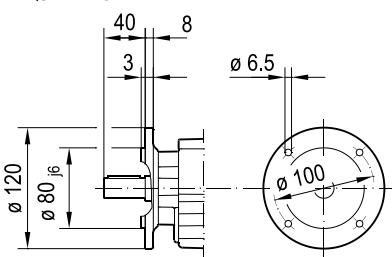


	ADC DCA...4LP		
	DCA63L-4LP	DCA80M-4LP	
AC	75	93	
AD	88	97	
L	430	430	
LS	450	460	
LB	218	218	
LBS	238	248	
X	127	127	
X9	12	12	
Y	73	73	
Y1	5.5	5.5	

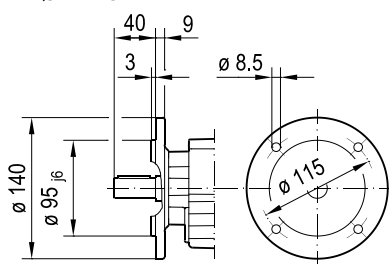
RF17..



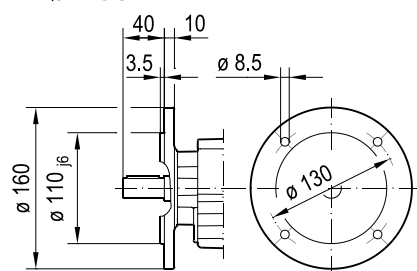
$\varnothing 120$



$\varnothing 140$

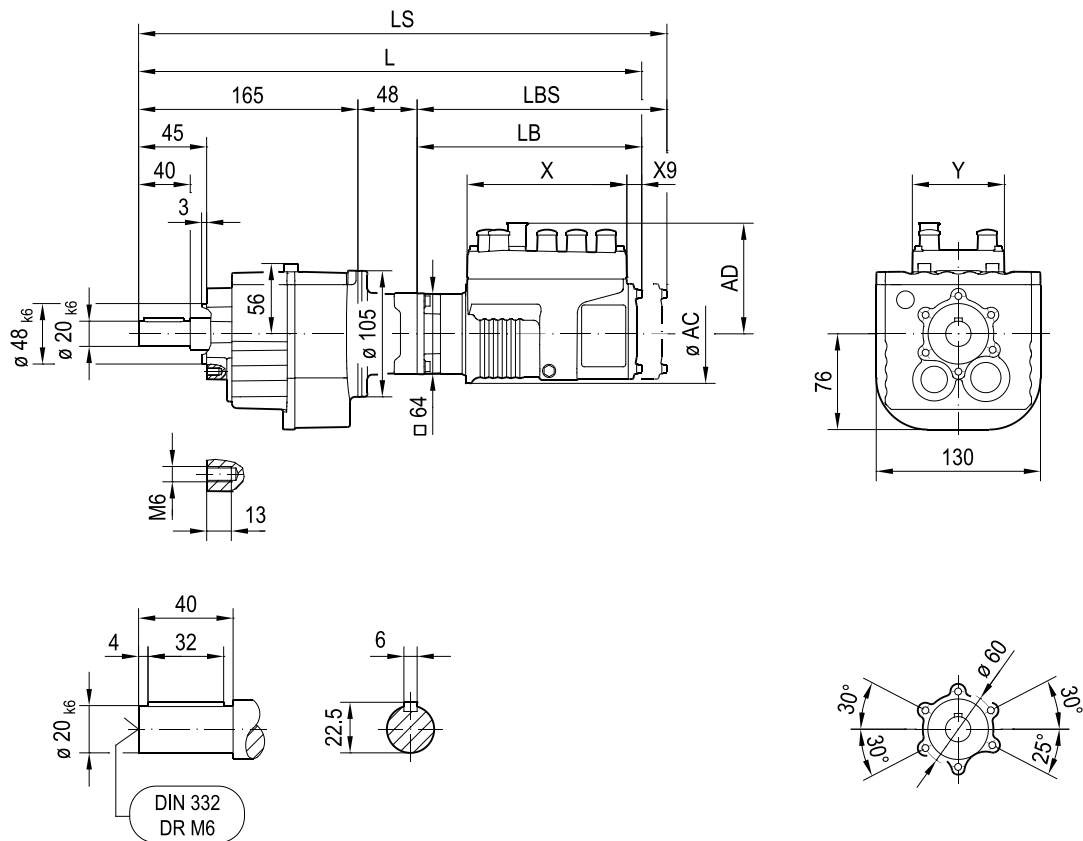


$\varnothing 160$



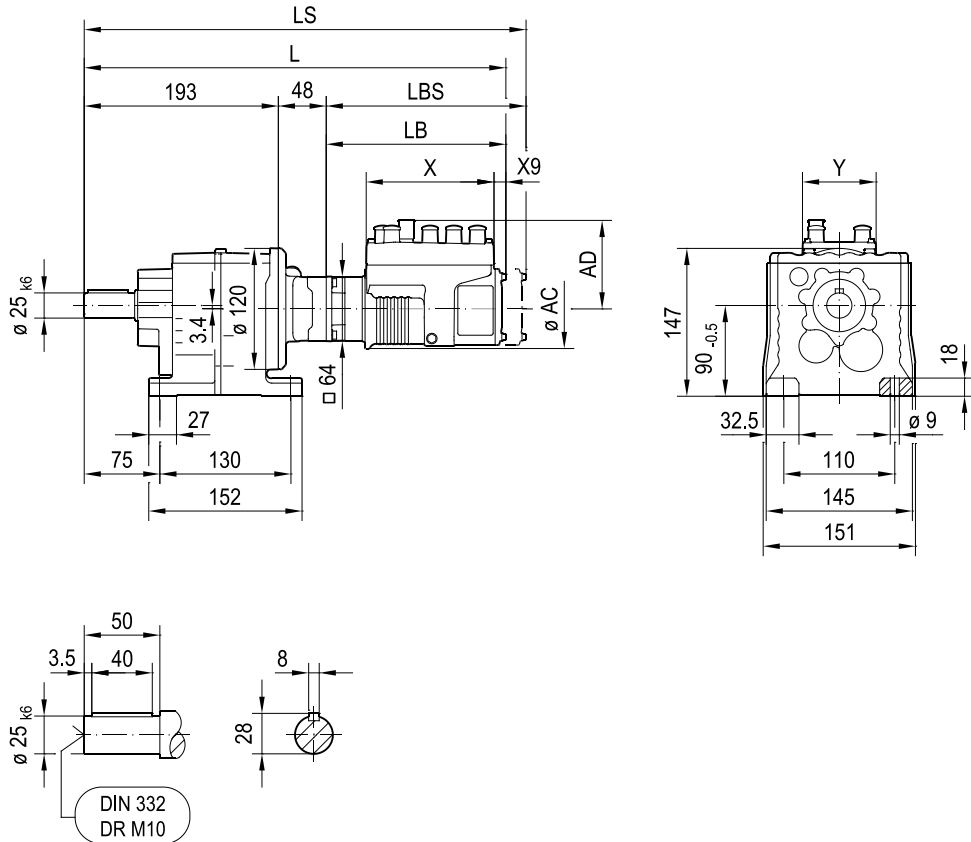
	ADC DCA...-4LP	
	DCA63L-4LP	DCA80M-4LP
AC	75	93
AD	88	97
L	438	438
LS	458	468
LB	218	218
LBS	238	248
X	127	127
X9	12	12
Y	73	73
Y1	5.5	5.5

RZ17..

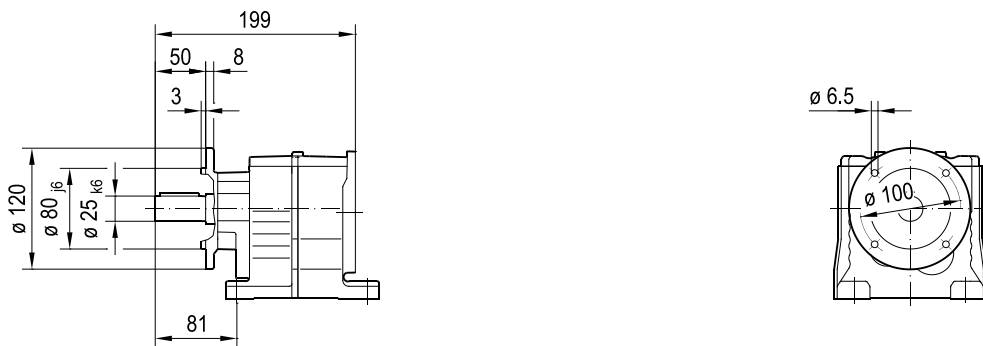


	ADC DCA...-4LP		
	DCA63L-4LP	DCA80M-4LP	
AC	75	93	
AD	88	97	
L	430	430	
LS	450	460	
LB	218	218	
LBS	238	248	
X	127	127	
X9	12	12	
Y	73	73	
Y1	5.5	5.5	

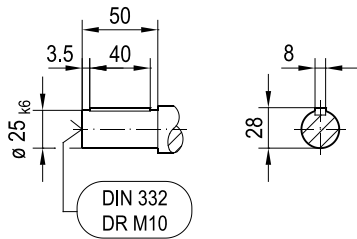
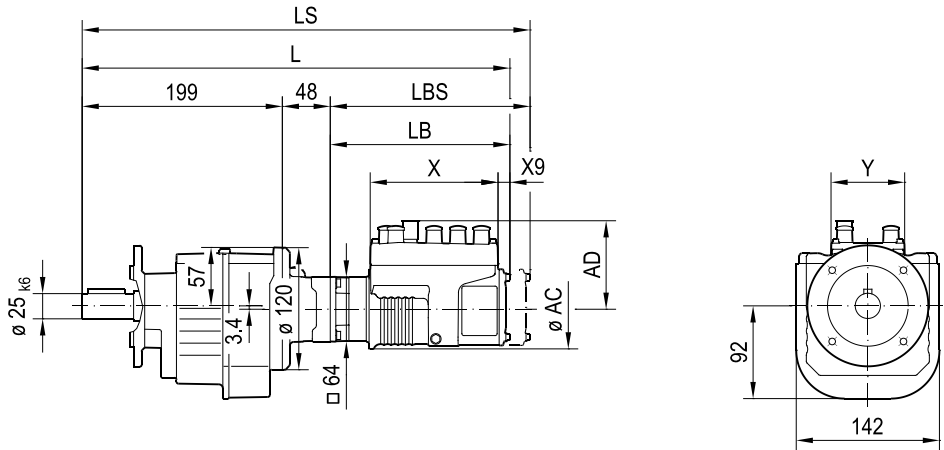
R27..



R27F..



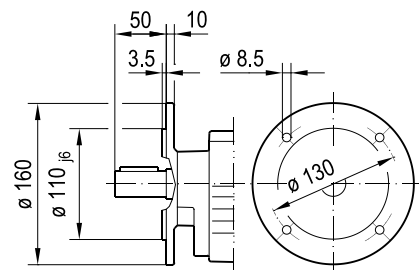
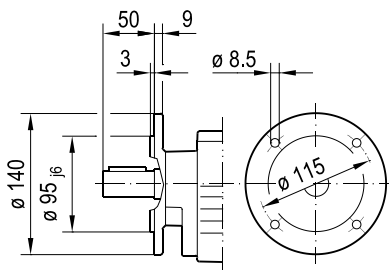
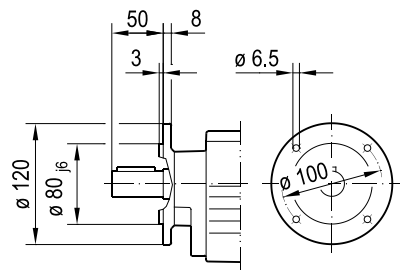
	ADC DCA..-4LP		
	DCA80M-4LP		
AC	93		
AD	97		
L	458		
LS	488		
LB	218		
LBS	248		
X	127		
X9	12		
Y	73		
Y1	5.5		



ø 120

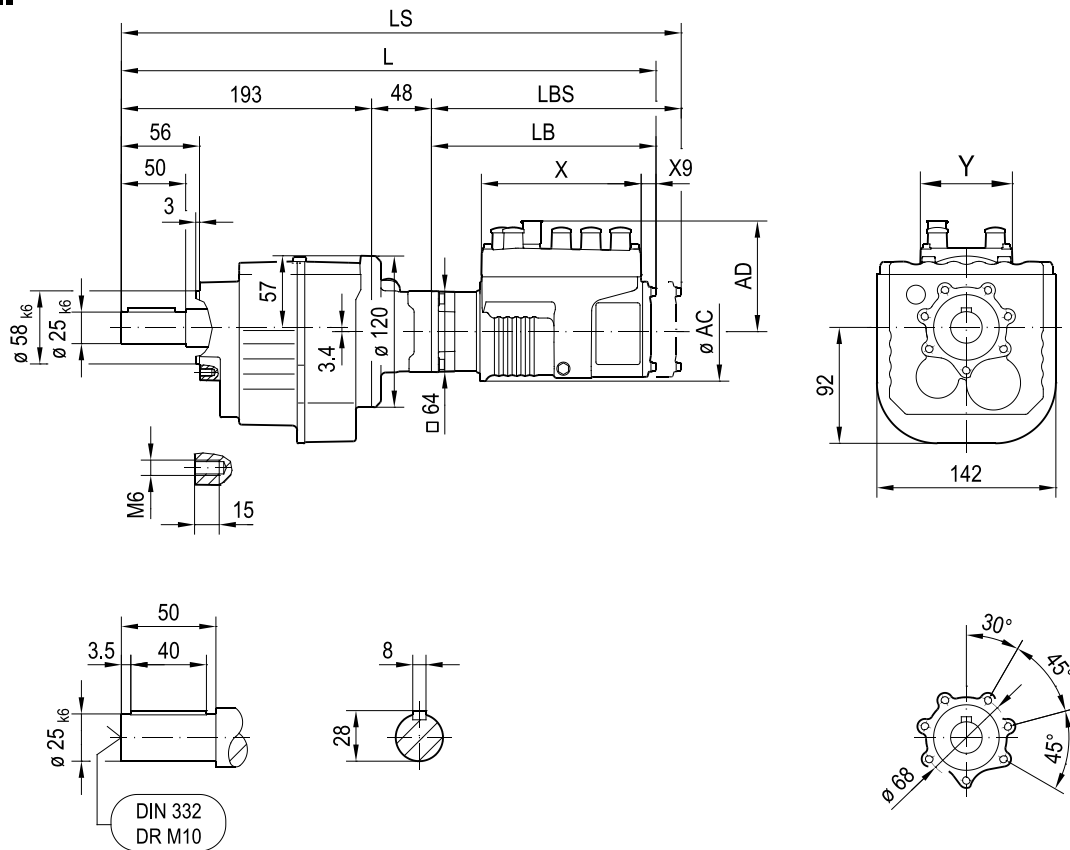
ø 140

ø 160



ADC DCA..-4LP			
DCA80M-4LP			
AC	93		
AD	97		
L	464		
LS	494		
LB	218		
LBS	248		
X	127		
X9	12		
Y	73		
Y1	5.5		

RZ27..



	ADC DCA...-4LP		
	DCA80M-4LP		
AC	93		
AD	97		
L	458		
LS	488		
LB	218		
LBS	248		
X	127		
X9	12		
Y	73		
Y1	5.5		