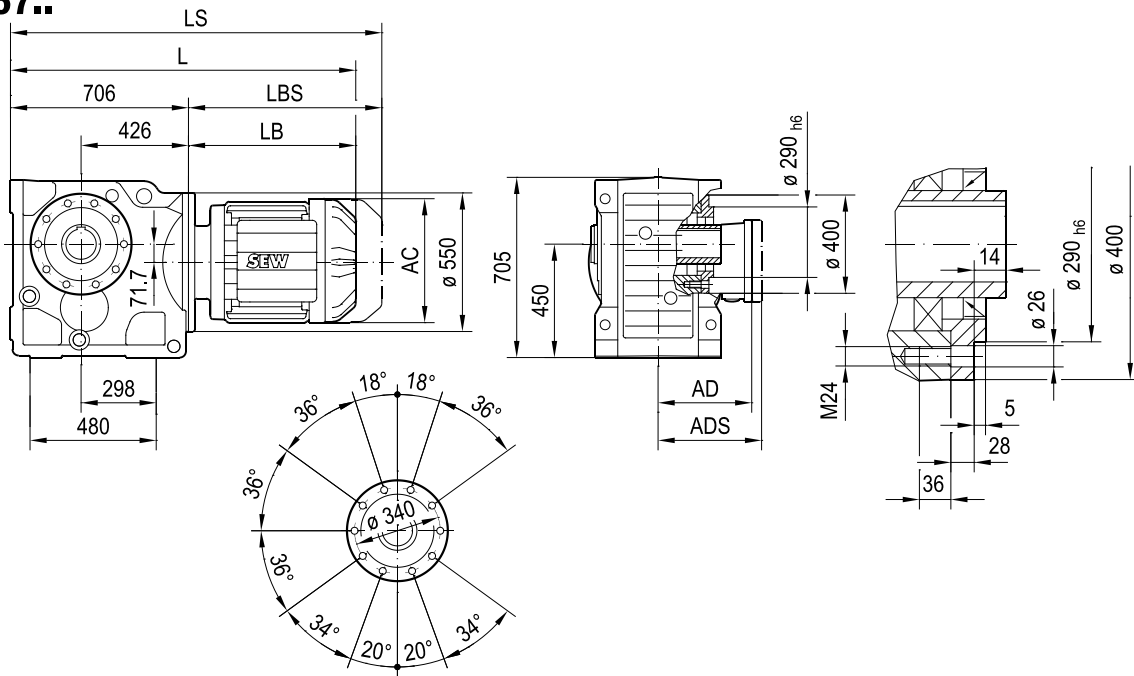
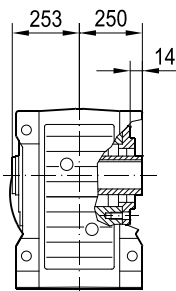


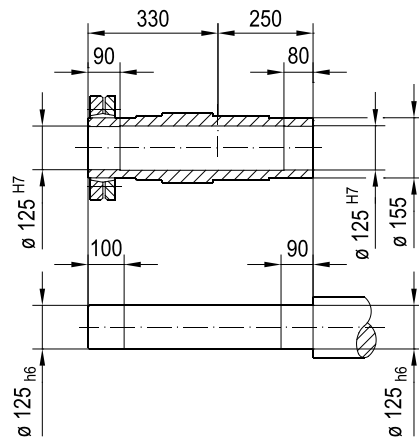
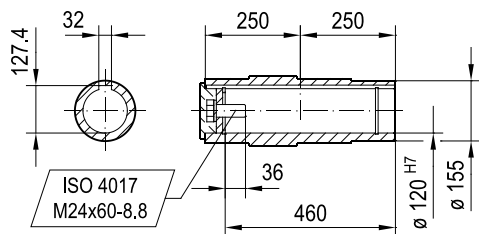
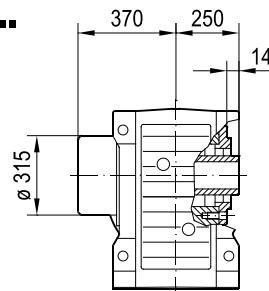
KAZ157..



KAZ157..



KHZ157..



| (→ 4.1) | DRN | | | | | | | | | |
|---------|------|-------|-------|------|-------|------|------|------|--------|---------|
| | 132L | 160.. | 180.. | 200L | 225.. | 250M | 280S | 280M | 315S-M | 315ME-H |
| AC | 261 | 314 | 357 | 394 | 434 | 495 | 495 | 495 | 624 | 624 |
| AD | 228 | 253 | 268 | 283 | 305 | 394 | 394 | 394 | 506 | 506 |
| ADS | 228 | 253 | 268 | 283 | 305 | 394 | 394 | 394 | 506 | 506 |
| L | 1140 | 1206 | 1229 | 1339 | 1313 | 1450 | 1450 | 1545 | 1647 | 1777 |
| LS | 1277 | 1395 | 1418 | 1544 | 1518 | 1690 | 1690 | 1785 | 1898 | 2028 |
| LB | 434 | 500 | 523 | 633 | 607 | 744 | 744 | 839 | 941 | 1071 |
| LBS | 571 | 689 | 712 | 838 | 812 | 984 | 984 | 1079 | 1192 | 1322 |