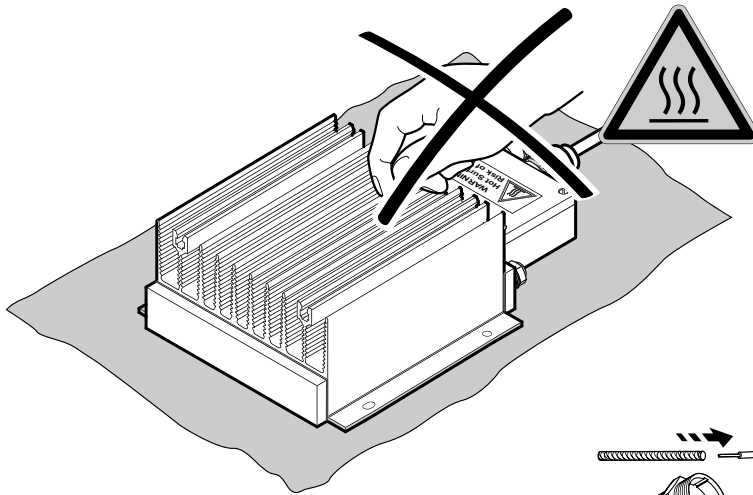
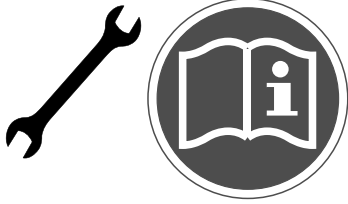




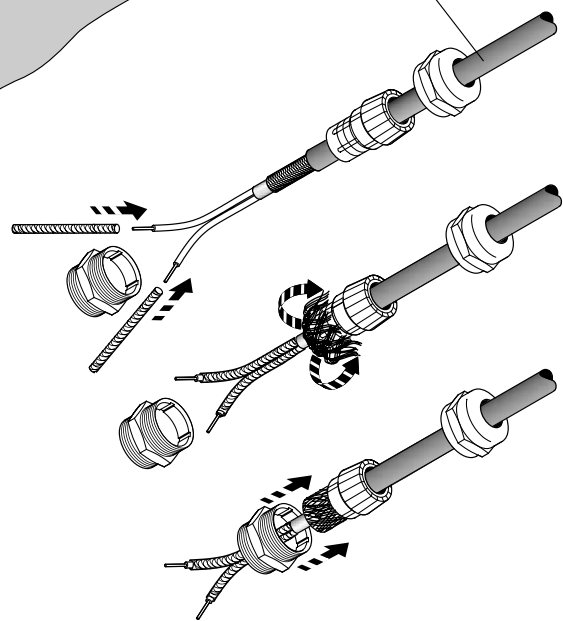
19431600 – 05/2016

BW150-006-T / BW068-006-T / BW100-009-T / BW068-012-T

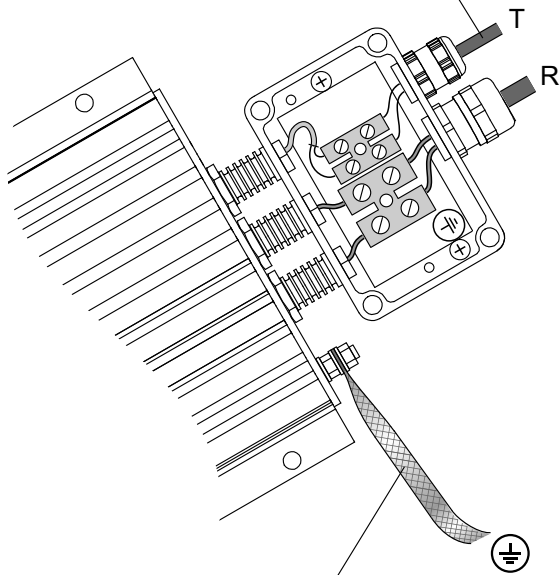


300°C  
575°F

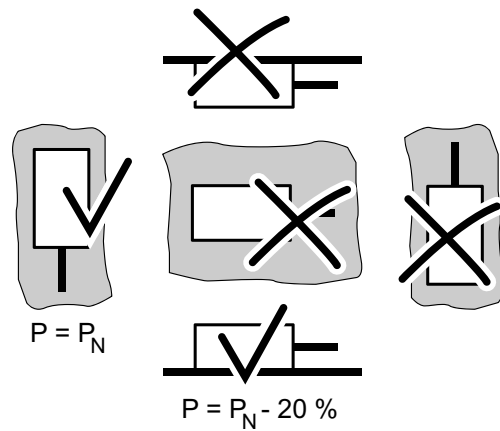
$T_{amb} \geq 90^\circ\text{C}$  (194°F)



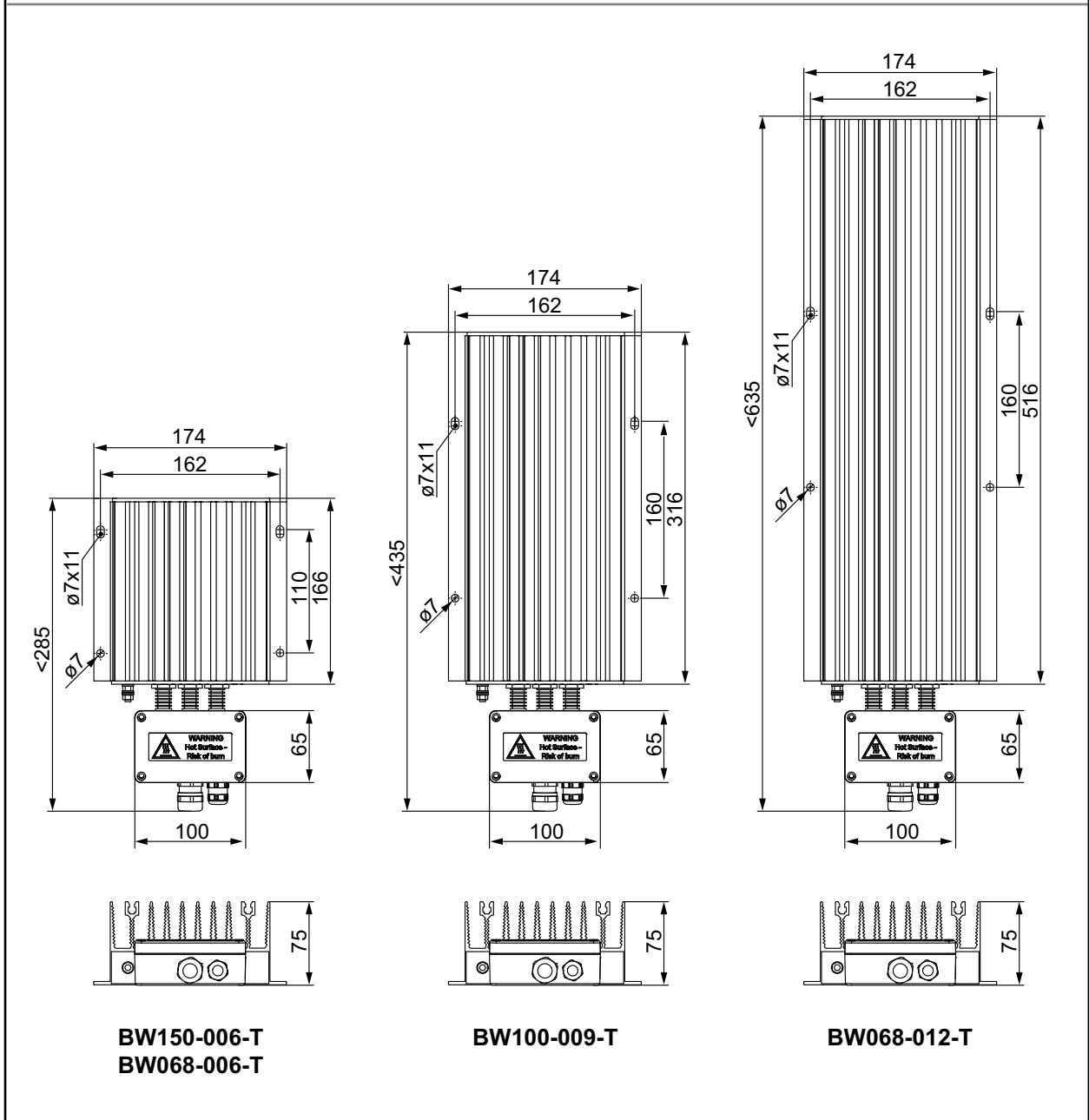
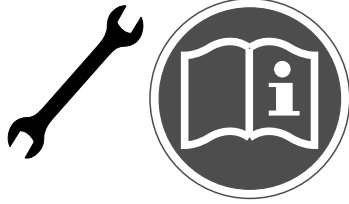
$U_{max} = \text{DC } 30 \text{ V}$   
 $I_{max} = 1 \text{ A}$



$T_{amb} \geq 200^\circ\text{C}$  (392°F)



69254axx



69255axx

	R	P <sub>N</sub>	∅ R	∅ T
BW150-006-T (17969565)	150.0 Ω ± 5 %	0.6 kW	M20x1.5	M16x1.5
BW068-006-T (17970008)	68.0 Ω ± 5 %	0.6 kW		
BW100-009-T (17969573)	100.0 Ω ± 5 %	0.9 kW		
BW068-012-T (17970016)	68.0 Ω ± 5 %	1.2 kW		