



Operating Instructions



MOVITRAC[®] B Conversion MOVITRAC[®] 31C to MOVITRAC[®] B





Contents

1	General Notes	4
1.1	How to use the operating instructions	4
1.2	Structure of the safety notes	4
1.3	Rights to claim under limited warranty	5
1.4	Exclusion of liability	5
2	Safety Notes	6
2.1	Preliminary information	6
2.2	General information	6
2.3	Target group	7
2.4	Designated use	7
2.5	Other applicable documentation	8
2.6	Transport	8
2.7	Installation/assembly	8
2.8	Electrical connection	9
2.9	Safe disconnection	9
2.10	Startup/operation	9
3	Conversion	10
3.1	Preparation	10
3.2	BG0 to BG0S	10
3.3	BG0 to BG0S with EMC module	15
3.4	BG1 to BG0L	16
3.5	BG2 to BG2S	21
4	Startup	25
4.1	Terminal assignment	25
4.2	Startup	27
5	Dimensions	28
5.1	BG0 adapter kit dimensions	28
5.2	BG1 adapter kit dimensions	28
5.3	BG2 adapter kit dimensions	29
6	Address List	30
	Index	40



General Notes

How to use the operating instructions

1 General Notes

1.1 How to use the operating instructions

The operating instructions are an integral part of the product and contain important information for operation and service. The operating instructions are written for all persons who assemble, install, startup, and service this product.

The operating instructions must be legible and accessible at all times. Make sure that staff responsible for the plant and its operation, as well as persons who work independently on the unit, have read the operating instructions carefully and understood them. If you are unclear about any of the information in this documentation, or if you require further information, contact SEW-EURODRIVE.

1.2 Structure of the safety notes

The safety notes in these operating instructions are designed as follows:

Pictogram 	SIGNAL WORD
	Type and source of danger. Possible consequence(s) if the safety notes are disregarded. <ul style="list-style-type: none"> • Measure(s) to prevent the danger.

Pictogram	Signal word	Meaning	Consequences if disregarded
Example: General danger	DANGER	Imminent danger	Severe or fatal injuries
 Specific danger, e.g. electric shock	WARNING	Possible dangerous situation	Severe or fatal injuries
	CAUTION	Possible dangerous situation	Minor injuries
	STOP	Possible damage to property	Damage to the drive system or its environment
	TIP	Useful information or tip. Simplifies the handling of the drive system.	



1.3 Rights to claim under limited warranty

Adhering to the operating instructions is a prerequisite for fault-free operation and the fulfillment of any right to claim under warranty. Therefore, read the operating instructions before you start working with the unit.

1.4 Exclusion of liability

You must comply with the information contained in these operating instructions to ensure safe operation of the electric motors and to achieve the specified product characteristics and performance features. SEW-EURODRIVE does not assume liability for injury to persons or damage to equipment or property resulting from non-observance of these operating instructions. In such cases, any liability for defects is excluded.



2 Safety Notes

The following basic safety notes must be read carefully to prevent injury to persons and damage to property. The operator must ensure that the basic safety notes are read and observed. Make sure that persons responsible for the plant and its operation, as well as persons who work independently on the unit, have read through the operating instructions carefully and understood them. If you are unclear about any of the information in this documentation, please contact SEW-EURODRIVE.

2.1 Preliminary information

The following safety notes predominantly refer to the use of frequency inverters. Additionally, when using drives with motors or gearmotors, observe the corresponding safety notes in the respective operating instructions.

Please also observe the supplementary safety notes in the individual sections of this publication.

2.2 General information

	DANGER
	<p>During operation, frequency inverters can have live, bare parts according to their degree of protection.</p> <p>Severe or fatal injuries.</p> <ul style="list-style-type: none"> • All work related to transportation, storage, setup/mounting, connection, startup, maintenance and repair may only be carried out by qualified personnel, in strict observation of: <ul style="list-style-type: none"> – The relevant detailed operating instructions – The warning and safety signs on the motor/gearmotor – All other project planning documents, operating instructions and wiring diagrams related to the drive – The specific regulations and requirements for the system – The national/regional regulations governing safety and the prevention of accidents • Never install damaged products. • Immediately report any damages to the shipping company.

Removing covers without authorization, improper use as well as incorrect installation or operation may result in severe injuries to persons or damage to property.

This document includes further information.



2.3 Target group

Any mechanical work may only be performed by adequately qualified personnel. Qualified personnel in this context are persons who are familiar with the setup, mechanical installation, trouble shooting and maintenance for this product. Further, they are qualified as follows:

- Training in mechanical engineering, e.g. as a mechanic or mechatronics technician (final examinations must have been passed).
- They are familiar with these operating instructions.

Any electronic work may only be performed by adequately qualified electricians. Qualified electricians in this context are persons who are familiar with the electronic installation, startup, trouble shooting and maintenance for this product. Further, they are qualified as follows:

- Training in electrical engineering, e.g. as an electrician or mechatronics technician (final examinations must have been passed).
- They are familiar with these operating instructions.

All work in further areas of transportation, storage, operation and waste disposal may be carried out only by persons who are trained appropriately.

2.4 Designated use

Frequency inverters are components for controlling asynchronous AC motors. Frequency inverters are components intended for installation in electrical systems or machines. Never connect capacitive loads. Operation with capacitive loads results in over voltages and may destroy the unit.

The following standards apply, if the frequency inverters are marketed in the EU/EFTA:

- In case of installation in machines, startup of the drive inverters (meaning the start of proper use) is prohibited until it is determined that the machine meets the requirements stipulated in the EC Directive 98/37/EC (machine directive); observe EN 60204.
- Startup (i.e. the start of designated use) is only permitted under observance of the EMC (2004/108/EC) directive.
- The frequency inverters comply with the requirements of the Low Voltage Directive 2006/95/EC. The harmonized standards of the EN 61800-5-1/DIN VDE T105 series in connection with EN 60439-1/VDE 0660 part 500 and EN 60146/VDE 0558 are applied to these frequency inverters.

Observe the technical data and the connection requirements specified on the nameplate and the operating instructions.

2.4.1 Safety functions

Frequency inverters from SEW-EURODRIVE must not perform any safety functions unless the inverters are subordinate to other safety systems.

Use higher-level safety systems to ensure protection of equipment and personnel.



2.5 Other applicable documentation

Observe the following publication for a conversion from MOVITRAC® 31C to MOVITRAC® B:

- MOVITRAC® B operating instructions

This documentation is available for download on the SEW-EURODRIVE website (www.sew-eurodrive.de).

2.6 Transport

Inspect the shipment for any damage that may have occurred in transit as soon as you receive the delivery. Inform the shipping company immediately. It may be necessary to preclude startup.

2.7 Installation/assembly

The units must be installed and cooled according to the regulations and specifications in this documentation.

Protect the frequency inverters from excessive strain. Do not twist any components and do not modify the insulation spaces. Do not touch any electronic components or contacts.

Frequency inverters contain components that can easily be damaged by electrostatic energy and improper handling. Electric components must not be mechanically damaged or destroyed.

The following applications are prohibited unless the unit is explicitly designed for such use:

- Use in potentially explosive atmospheres.
- Use in areas exposed to harmful oils, acids, gases, vapors, dust, radiation, etc. (frequency inverter may only be operated in climate class 3K3 to EN 60721-3-3)
- Use in non-stationary applications which are subject to mechanical vibration and impact loads in excess of the requirements in EN 61800-5-1.



2.8 Electrical connection

Observe the applicable national accident prevention guidelines when working on live frequency inverters (e.g. BGV A3 for Germany).

During installation, observe the specifications regarding cable cross sections, fusing and protective conductor connection. This publication contains additional information.

In this documentation, you will find notes on EMC compliant installation, such as shielding, grounding, arrangement of filters and routing of lines. The manufacturer of the system or machine is responsible for maintaining the limits established by EMC legislation.

Protective measures and protection devices must comply with the regulations in force (e.g. EN 60204 or EN 61800-5-1).

Ground the unit.

2.9 Safe disconnection

The unit meets all requirements for safe disconnection of power and electronic connections in accordance with EN 61800-5-1. All connected circuits must also satisfy the requirements for safe disconnection.

2.10 Startup/operation

Systems with integrated frequency inverters must be equipped with additional monitoring and protection devices, as applicable, according to the relevant safety guidelines and regulations, such as legislation governing technical equipment, accident prevention regulations, etc.

Do not touch live components or power connections until 10 minutes after disconnecting the frequency inverters from the supply voltage because there may still be some charged capacitors. Observe the corresponding labels on the frequency inverter.

Keep all covers and doors closed during operation.

The fact that the status LED and other display elements are no longer illuminated does not indicate that the unit has been disconnected from the power supply and no longer carries any voltage.

Mechanical blocking or internal safety functions of the unit can cause a motor standstill. Eliminating the cause of the problem or performing a reset may result in the drive restarting automatically. If, for safety reasons, this is not permitted for the driven machine, disconnect the unit from the supply system before correcting the error.



3 Conversion

3.1 Preparation



! DANGER

Plant not de-energized.

Severe or fatal injuries from electric shock.

- Disconnect the inverter and the control cabinet prior to the conversion procedure.
- Secure the plant against unintended restart.

3.2 *BG0 to BG0S*

3.2.1 Disassembly of MOVITRAC® 31C

Signal lines

- Pull off the 5-pin plug connector X2 and the 12-pin plug connector X3 upwards. See following figure.
- Be careful in order not to damage the connection wires.



1391303435

Power cable

The cables for power supply, motor and braking resistor are connected to the unit via terminal X1.



TIP

SEW-EURODRIVE recommends marking the wires before disconnecting them. Thus you will prevent faulty wiring.

- Disconnect the cables.



Disassembly

The MOVITRAC® 31C is attached to the back of the control cabinet via 2 screws.

- Loosen the retaining screws and then remove the MOVITRAC® 31C.

3.2.2 Mounting the adapter plate

- Use the two provided retaining screws to mount the adapter plate to the back panel of the control cabinet.
- Use the retaining bores for this purpose. The bore pattern is the same as for MOVITRAC® 31 C.

3.2.3 Installation of MOVITRAC® B

- Use the two provided retaining screws to attach the MOVITRAC® B to the adapter plate. See following figure.



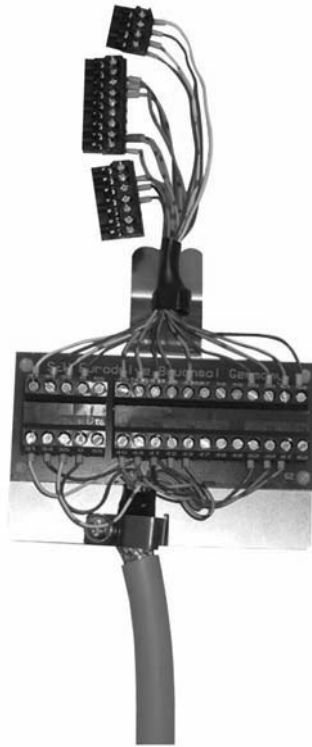
1392977547

- Use the pre-wired adapter board to connect the signal cables to MOVITRAC® B.



Conversion BG0 to BG0S

- Connect the signal plugs to the respective 5-pole and 12-pole socket contacts (push from the top). See following figure.

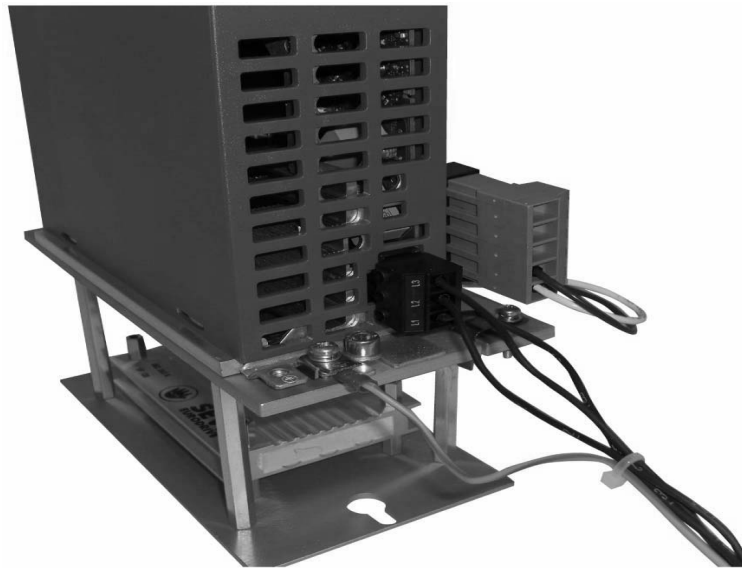


1392980747

- If the signal cable shield of MOVITRAC[®] 31C has been connected to ground, you have to connect the MOVITRAC[®] B shield to the retaining plate over a large surface area using a grounding clamp.
- Connect the L1, L2, L3 supply cables to the 3-pole supply connector of the MOVITRAC[®] B.



- Then plug the connector into the 3-pole socket X1 of the MOVITRAC® B. See following figure.



1393342603

- Connect the motor supply U/V/W to the 5-pin coupler. Observe the assignment U/V/W.
- If the motor cable shield of MOVITRAC® 31C has been connected to ground, you have to connect the MOVITRAC® B shield to the adapter plate over a large surface area using a grounding clamp. See following figure.



1393345803



Conversion BG0 to BG0S

- If the MOVITRAC® 31C has been equipped with an external braking resistor, connect it to the 5-pin coupler as well (terminals R+ and R-). If the MOVITRAC® 31C has not been equipped with an external braking resistor, use the built-in brake resistor of the adapter. In this case, route the wires through the bore and connect them to the 5-pin coupler.



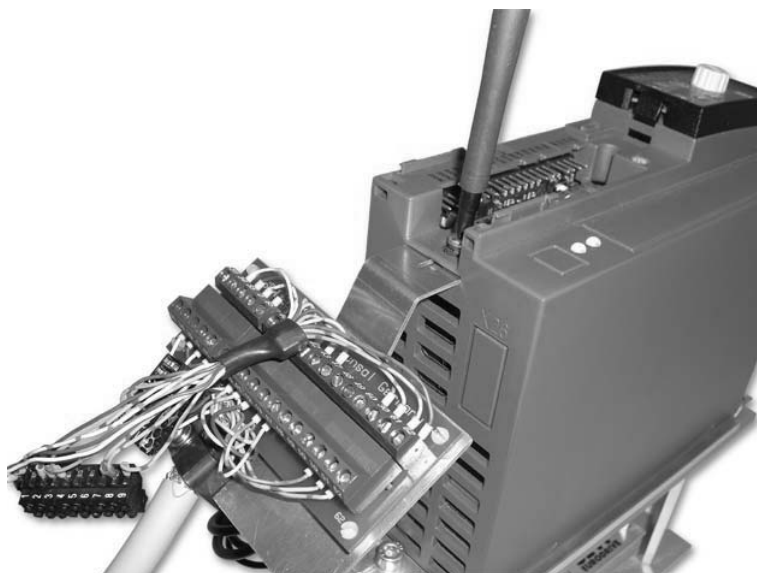
STOP

Observe the permitted minimum resistance for MOVITRAC® B.

Consequences if disregarded: Defective power section.

- For the values, refer to the "MOVITRAC® B" system manual.

- Plug the 5-pole multi-connector cable into the MOVITRAC® B and into the coupler.
- Insert the adapter board into the slot of the MOVITRAC® B and secure the connection with a screw.
- Then plug the 3 signal connectors into the respective sockets of the MOVITRAC® B. See following figure.



1393349003



3.3 *BG0 to BG0S with EMC module*

The EMC module FKE12B can be used for the adapter kit.

The following modifications are required for the adapter kit:

- Replace the 4 spacer bolts with the provided shorter ones.
- Remove the set of cables mounted on the adapter kit.
- Use the 3-pin cable of the cable set for the supply system connection.
- Connect the provided connector to the 3-pin cable and the supplied coupler to the supply cable.
- Connect the cables of the braking resistor to the 5-pin motor connector of the MOVITRAC® B. See following figure.



1897807371

- Mount the EMC module and the MOVITRAC® B to the adapter kit.
- Connect the MOVITRAC® B to the supply system and the motor via the EMC module.



3.4 BG1 to BG0L

3.4.1 Disassembly of MOVITRAC® 31C

Signal lines

- Pull off the 5-pin plug connector X2 and the 12-pin plug connector X3 upwards. See following figure.
- Be careful in order not to damage the connection wires.



1393352843

Power cable

The cables for power supply, motor and braking resistor are connected to the unit via terminal X1.



TIP

SEW-EURODRIVE recommends marking the wires before disconnecting them. Thus you will prevent faulty wiring.

- Disconnect the cables.

Disassembly

The MOVITRAC® 31C is attached to the back of the control cabinet via 4 screws.

- Loosen the retaining screws and then remove the MOVITRAC® 31C.

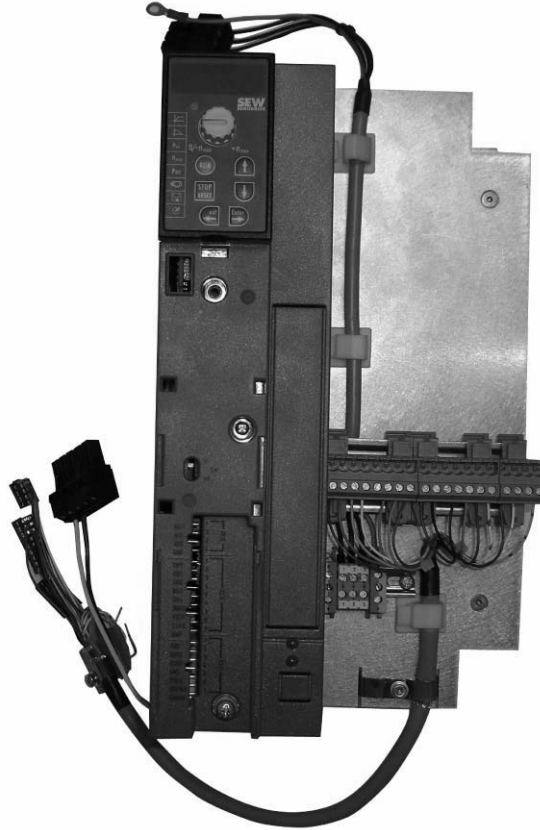
3.4.2 Mounting the adapter plate

- Use the provided retaining screws to mount the adapter plate to the back panel of the control cabinet.
- Use the 4 retaining bores for this purpose. The bore pattern is the same as for MOVITRAC® 31 C.



3.4.3 Installation of MOVITRAC® B

- Use the two provided retaining screws to mount the MOVITRAC® B to the adapter plate. See following figure.



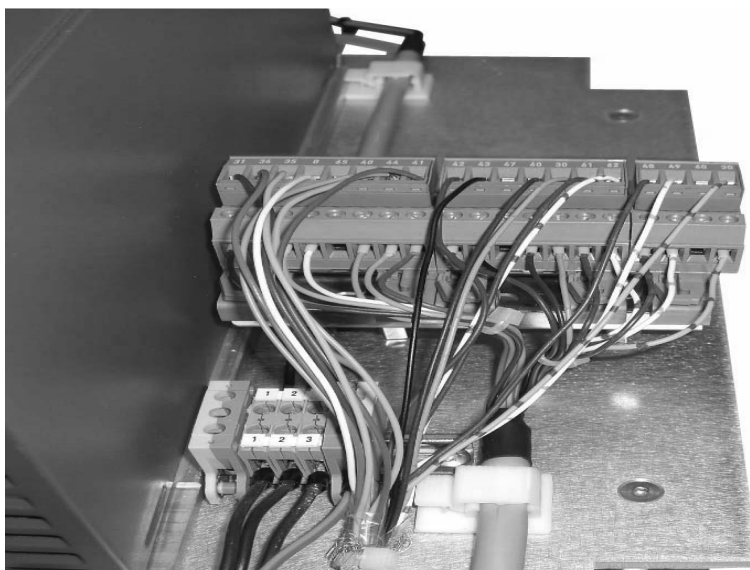
1393448331

- Use the pre-wired adapter sockets to connect the signal cables to MOVITRAC® B.



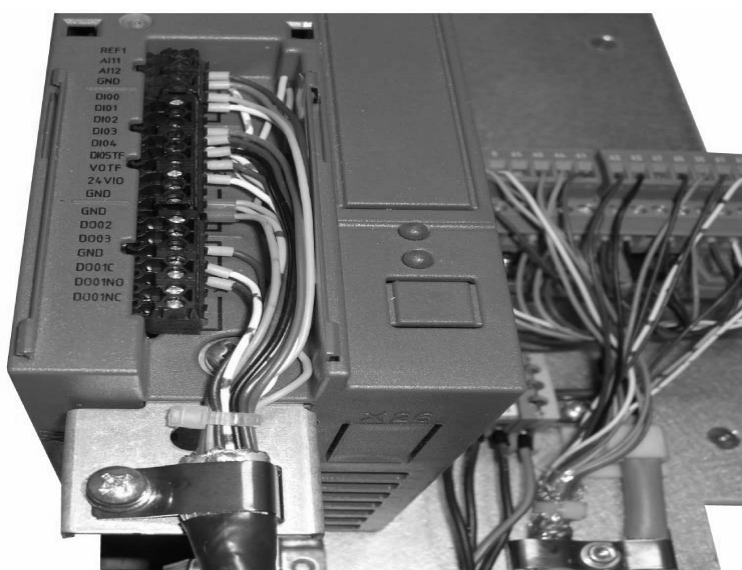
Conversion BG1 to BG0L

- Connect the signal plugs of the MOVITRAC® 31C to the corresponding sockets. See following figure.



1393452171

- Connect the plugs of the MOVITRAC® 31C to the corresponding plugs of the MOVITRAC® B. See following figure.

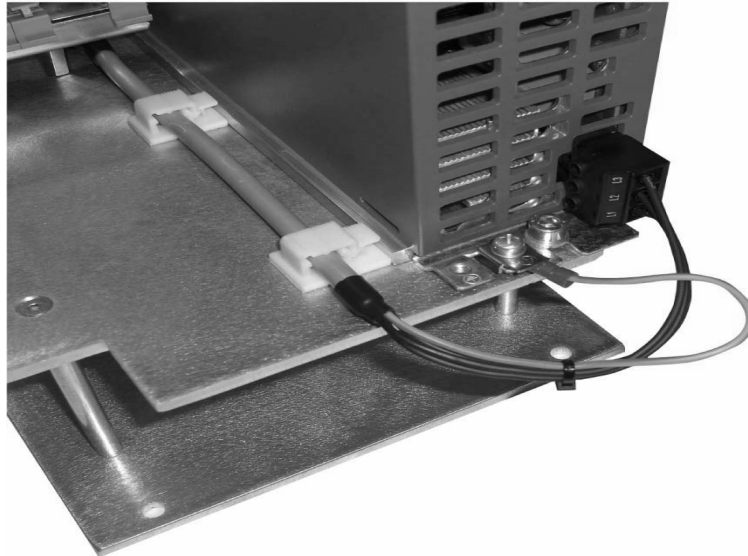


1393455371

- If the signal cable shield of MOVITRAC® 31C has been connected to ground, you have to connect the MOVITRAC® B shield to the retaining plate over a large surface area using a grounding clamp.



- Connect the L1, L2, L3 supply cables to the 3-pin supply connector of the MOVITRAC® B.
- Then plug the connector into the 3-pole socket X1 of the MOVITRAC® B. See following figure.



1393574411

- Connect the motor supply U/V/W to the 5-pin coupler. Observe the assignment U/V/W.
- If the motor cable shield of MOVITRAC® 31C has been connected to ground, you have to connect the MOVITRAC® B shield to the adapter plate over a large surface area using a grounding clamp. See following figure.



1393578123



Conversion BG1 to BG0L

- If the MOVITRAC® 31C has been equipped with an external braking resistor, connect it to the 5-pin coupler as well (terminals R+ and R-). If the MOVITRAC® 31C has not been equipped with an external braking resistor, use the built-in brake resistor of the adapter. In this case, route the wires through the bore and connect them to the 5-pin coupler.



STOP

Observe the permitted minimum resistance for MOVITRAC® B.

Consequences if disregarded: Defective power section.

- For the values, refer to the "MOVITRAC® B" system manual.



3.5 BG2 to BG2S

3.5.1 Disassembly of MOVITRAC® 31C

Signal lines

- Pull off the 5-pin plug connector X2 and the 12-pin plug connector X3 upwards. See following figure.
- Be careful in order not to damage the connection wires.



1393352843

Power cable

The cables for power supply, motor and braking resistor are connected to the unit via terminal X1.



TIP

SEW-EURODRIVE recommends marking the wires before disconnecting them. Thus you will prevent faulty wiring.

- Disconnect the cables.

Disassembly

The MOVITRAC® 31C is attached to the back of the control cabinet via 4 screws.

- Loosen the retaining screws and then remove the MOVITRAC® 31C.



3.5.2 Mounting the adapter plate

- Use the provided retaining screws to mount the adapter plate to the back panel of the control cabinet.
- Use the 4 retaining bores for this purpose. The bore pattern is the same as for MOVITRAC® 31 C.

3.5.3 Installation of MOVITRAC® B

- Use the provided retaining screws to mount the MOVITRAC® B to the adapter plate.
- Mount the provided braking resistor to the adapter plate. See following figure.

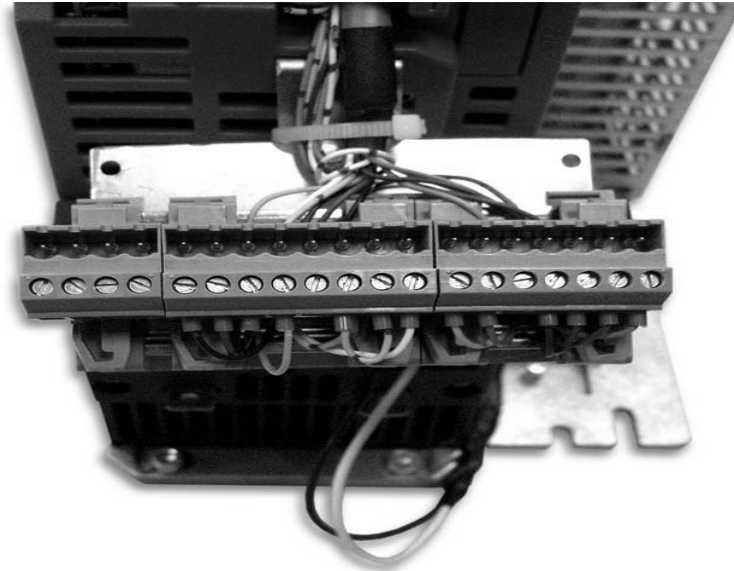


1654544139

- Use the pre-wired adapter sockets to connect the signal cables to MOVITRAC® B.
- Connect the socket line plugs of the MOVITRAC® 31C to the corresponding socket panels.



- If the signal cable shield of MOVITRAC® 31C has been connected to ground, you have to connect the MOVITRAC® B shield to the retaining plate over a large surface area using a grounding clamp.



1654547211

- Connect the terminal block supply cables to terminals 1/L1 / 2/L2 / 3/L3 of the MOVITRAC® B. See following figure.



1654550667

- Connect the U/V/W motor cable to terminals 4/U / 5/V / 6/W of the MOVITRAC® B.



Conversion BG2 to BG2S

- If the MOVITRAC® 31C has been equipped with an external braking resistor, connect it to the 5-pin coupler as well (terminals R+ and R-). If the MOVITRAC® 31C has not been equipped with an external braking resistor, use the built-in brake resistor of the adapter.



STOP

Observe the permitted minimum resistance for MOVITRAC® B.

Consequences if disregarded: Defective power section.

- For the values, refer to the "MOVITRAC® B" system manual.

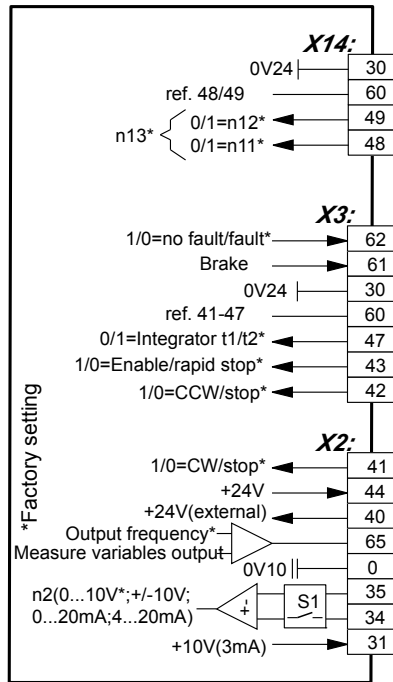


4 Startup

4.1 Terminal assignment

4.1.1 Standard unit

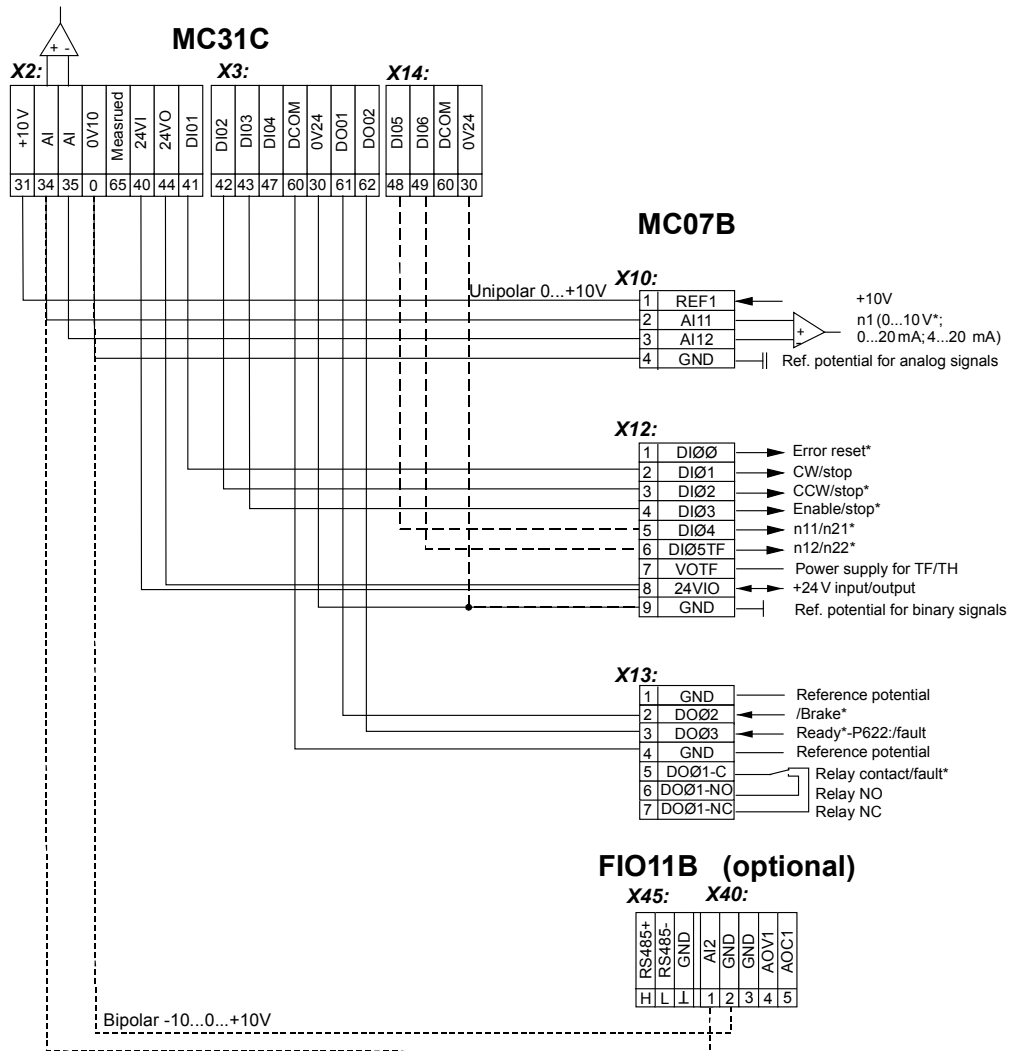
The following figure is based on the terminal assignment as stated in the operating instructions (default settings are marked with a *). For better orientation, the terminals of the MOVITRAC® 31C are illustrated horizontally (corresponds to the actual view).



1365448587



The rewiring diagram refers to the standard factory setting of the old and the new unit. Observe any alterations regarding the parameterization.



1365451787

4.1.2 Terminal X14 option

MC31C in BG 0 is not equipped with a terminal X14, terminals 48 and 49 for fixed set-points are integrated in X3 instead.

One of the following options can be plugged in (as X21 extension) instead of the X14 board: FEN31C, FPI31C, FIT31C.

4.1.3 Potential isolation of the terminals

The MOVITRAC® 31C reference potentials are not connected to GND. A potential connection is established by connecting terminals X14:60 and X14:30.



4.1.4 Ramp switch-over

MOVITRAC® 31C is not equipped with terminal X3:47 t1/t2 ramp switchover. It cannot be parameterized to a digital input. With the second motor parameter set, you can achieve the function with the following conditions:

- Switchover only via parameter set switchover in "No enable" state
- Startup for first and second parameter set executed
- Parameterization of the ramps and speeds in both parameter sets.

4.1.5 DC 24 V terminal

One distinctive feature of the MOVITRAC® B is the DC 24 V terminal X12:8. You can use this terminal to operate the MC07B with backup voltage or to supply other consumers with 24 V from MOVITRAC® B. The MOVITRAC® B can provide 50 mA via terminal X12:8 (MOVITRAC® 31C = 250 mA via X2:44). Use an external DC 24 V supply if the demand is higher.

4.1.6 Error messages

Note that, for MOVITRAC® 31C, the error message X3:62 is assigned to a digital output. For the MOVITRAC® B, the error message is implemented as a relay contact. This is why you should rather use terminal X13:3 (DO03). Next, parameter P622 must be set to */Fault* using the FBG keypad or MOVITOOLS® MotionStudio.

4.1.7 Analog input

Note that the analog input of the basic MOVITRAC® B unit can only be used for 0 – 10 V and 0(4) – 20 mA.

Use the analog module FIO11B for operation with –10 V – 0 – +10 V.

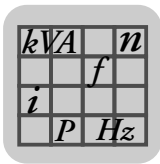


TIP

For better orientation, the abbreviations in the figures referring to MOVITRAC® 31C are the same as used for MOVITRAC® A, MOVITRAC® B and MOVIDRIVE®. Refer to the operating instructions for the exact designations for MOVITRAC® 31C.

4.2 Startup

- Now you can restart the cabinet/plant.
- Startup the MOVITRAC® B as described in the operating instructions.
- The terminal assignment must correspond to the MOVITRAC® 31C assignment. Refer to the rewiring diagram of the adapter board for information on the terminal assignment.



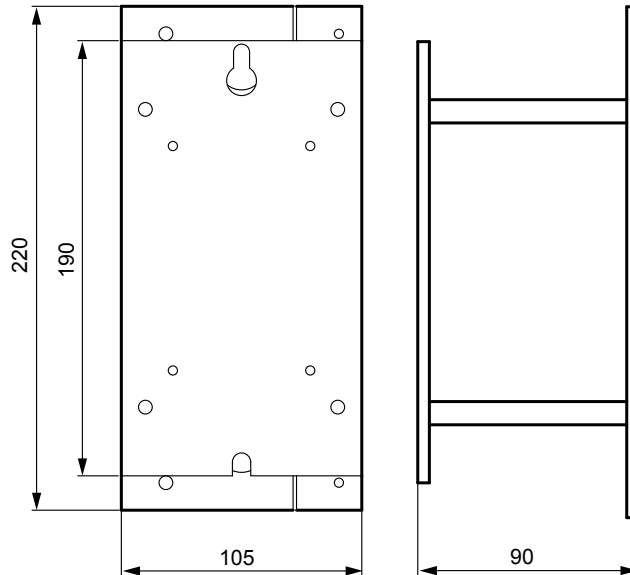
Dimensions

BG0 adapter kit dimensions

5 Dimensions

5.1 BG0 adapter kit dimensions

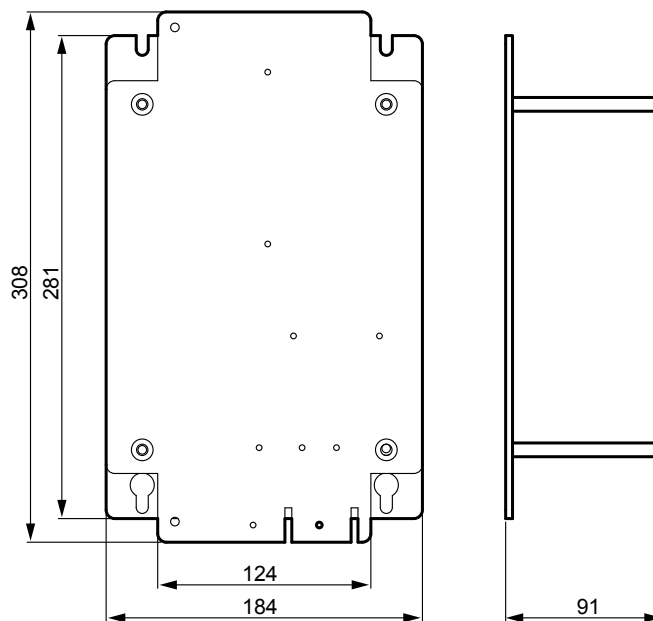
The height of the MOVITRAC® B is 163.5 mm.



1626675723

5.2 BG1 adapter kit dimensions

The height of the MOVITRAC® B is 163.5 mm.

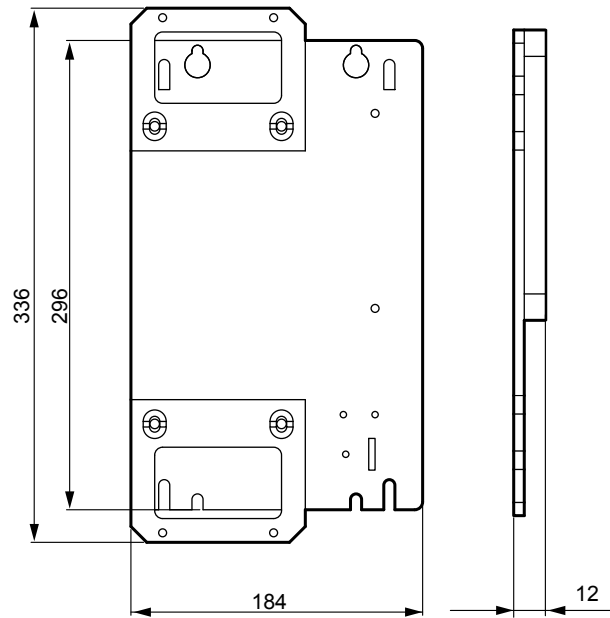


1626678923

kVA	n
	f
i	
P	Hz

5.3 BG2 adapter kit dimensions

The height of the MOVITRAC® B is 238 mm. The height of the assembled braking resistor is 258 mm.



1626681867



6 Address List

Germany			
Headquarters	Bruchsal	SEW-EURODRIVE GmbH & Co KG	Tel. +49 7251 75-0
Production		Ernst-Blickle-Straße 42	Fax +49 7251 75-1970
Sales		D-76646 Bruchsal	http://www.sew-eurodrive.de
		P.O. Box	sew@sew-eurodrive.de
		Postfach 3023 • D-76642 Bruchsal	
Service Competence Center	Central	SEW-EURODRIVE GmbH & Co KG	Tel. +49 7251 75-1710
		Ernst-Blickle-Straße 1	Fax +49 7251 75-1711
		D-76676 Graben-Neudorf	sc-mitte@sew-eurodrive.de
	North	SEW-EURODRIVE GmbH & Co KG	Tel. +49 5137 8798-30
		Alte Ricklinger Straße 40-42	Fax +49 5137 8798-55
		D-30823 Garbsen (near Hannover)	sc-nord@sew-eurodrive.de
	East	SEW-EURODRIVE GmbH & Co KG	Tel. +49 3764 7606-0
		Dänkritzter Weg 1	Fax +49 3764 7606-30
	D-08393 Meerane (near Zwickau)	sc-ost@sew-eurodrive.de	
	South	SEW-EURODRIVE GmbH & Co KG	Tel. +49 89 909552-10
		Domagkstraße 5	Fax +49 89 909552-50
		D-85551 Kirchheim (near München)	sc-sued@sew-eurodrive.de
	West	SEW-EURODRIVE GmbH & Co KG	Tel. +49 2173 8507-30
		Siemensstraße 1	Fax +49 2173 8507-55
		D-40764 Langenfeld (near Düsseldorf)	sc-west@sew-eurodrive.de
	Electronics	SEW-EURODRIVE GmbH & Co KG	Tel. +49 7251 75-1780
		Ernst-Blickle-Straße 42	Fax +49 7251 75-1769
		D-76646 Bruchsal	sc-elektronik@sew-eurodrive.de
	Drive Service Hotline / 24 Hour Service		+49 180 5 SEWHELP +49 180 5 7394357
Additional addresses for service in Germany provided on request!			
France			
Production	Haguenau	SEW-USOCOME	Tel. +33 3 88 73 67 00
Sales		48-54 route de Soufflenheim	Fax +33 3 88 73 66 00
Service		B. P. 20185	http://www.usocome.com
		F-67506 Haguenau Cedex	sew@usocome.com
Production	Forbach	SEW-EUROCOME	Tel. +33 3 87 29 38 00
		Zone Industrielle	
		Technopôle Forbach Sud	
		B. P. 30269	
		F-57604 Forbach Cedex	
Assembly	Bordeaux	SEW-USOCOME	Tel. +33 5 57 26 39 00
Sales		Parc d'activités de Magellan	Fax +33 5 57 26 39 09
Service		62 avenue de Magellan - B. P. 182	
		F-33607 Pessac Cedex	
	Lyon	SEW-USOCOME	Tel. +33 4 72 15 37 00
		Parc d'Affaires Roosevelt	Fax +33 4 72 15 37 15
		Rue Jacques Tati	
		F-69120 Vaulx en Velin	
	Paris	SEW-USOCOME	Tel. +33 1 64 42 40 80
		Zone industrielle	Fax +33 1 64 42 40 88
		2 rue Denis Papin	
		F-77390 Verneuil l'Etang	
Additional addresses for service in France provided on request!			



Algeria			
Sales	Alger	Réducom 16, rue des Frères Zagnoun Bellevue El-Harrach 16200 Alger	Tel. +213 21 8222-84 Fax +213 21 8222-84 reducom_sew@yahoo.fr
Argentina			
Assembly Sales Service	Buenos Aires	SEW EURODRIVE ARGENTINA S.A. Centro Industrial Garin, Lote 35 Ruta Panamericana Km 37,5 1619 Garin	Tel. +54 3327 4572-84 Fax +54 3327 4572-21 sewar@sew-eurodrive.com.ar http://www.sew-eurodrive.com.ar
Australia			
Assembly Sales Service	Melbourne	SEW-EURODRIVE PTY. LTD. 27 Beverage Drive Tullamarine, Victoria 3043	Tel. +61 3 9933-1000 Fax +61 3 9933-1003 http://www.sew-eurodrive.com.au enquires@sew-eurodrive.com.au
	Sydney	SEW-EURODRIVE PTY. LTD. 9, Sleigh Place, Wetherill Park New South Wales, 2164	Tel. +61 2 9725-9900 Fax +61 2 9725-9905 enquires@sew-eurodrive.com.au
Austria			
Assembly Sales Service	Wien	SEW-EURODRIVE Ges.m.b.H. Richard-Strauss-Strasse 24 A-1230 Wien	Tel. +43 1 617 55 00-0 Fax +43 1 617 55 00-30 http://www.sew-eurodrive.at sew@sew-eurodrive.at
Belarus			
Sales	Minsk	SEW-EURODRIVE BY RybalkoStr. 26 BY-220033 Minsk	Tel.+375 (17) 298 38 50 Fax +375 (17) 29838 50 sales@sew.by
Belgium			
Assembly Sales Service	Brüssel	SEW Caron-Vector Avenue Eiffel 5 B-1300 Wavre	Tel. +32 10 231-311 Fax +32 10 231-336 http://www.sew-eurodrive.be info@caron-vector.be
Service Compe- tence Center	Industrial Gears	SEW Caron-Vector Rue de Parc Industriel, 31 BE-6900 Marche-en-Famenne	Tel. +32 84 219-878 Fax +32 84 219-879 http://www.sew-eurodrive.be service-wallonie@sew-eurodrive.be
	Antwerp	SEW Caron-Vector Glasstraat, 19 BE-2170 Merksem	Tel. +32 3 64 19 333 Fax +32 3 64 19 336 http://www.sew-eurodrive.be service-antwerpen@sew-eurodrive.be
Brazil			
Production Sales Service	Sao Paulo	SEW-EURODRIVE Brasil Ltda. Avenida Amâncio Gaiolli, 152 - Rodovia Presi- dente Dutra Km 208 Guarulhos - 07251-250 - SP SAT - SEW ATENDE - 0800 7700496	Tel. +55 11 2489-9133 Fax +55 11 2480-3328 http://www.sew-eurodrive.com.br sew@sew.com.br
Bulgaria			
Sales	Sofia	BEVER-DRIVE GmbH Bogdanovetz Str.1 BG-1606 Sofia	Tel. +359 2 9151160 Fax +359 2 9151166 bever@fastbg.net



Cameroon			
Sales	Douala	Electro-Services Rue Drouot Akwa B.P. 2024 Douala	Tel. +237 33 431137 Fax +237 33 431137
Canada			
Assembly Sales Service	Toronto	SEW-EURODRIVE CO. OF CANADA LTD. 210 Walker Drive Bramalea, ON L6T 3W1	Tel. +1 905 791-1553 Fax +1 905 791-2999 http://www.sew-eurodrive.ca l.watson@sew-eurodrive.ca
	Vancouver	SEW-EURODRIVE CO. OF CANADA LTD. Tilbury Industrial Park 7188 Honeyman Street Delta, BC V4G 1G1	Tel. +1 604 946-5535 Fax +1 604 946-2513 b.wake@sew-eurodrive.ca
	Montreal	SEW-EURODRIVE CO. OF CANADA LTD. 2555 Rue Leger Lasalle, PQ H8N 2V9	Tel. +1 514 367-1124 Fax +1 514 367-3677 a.peluso@sew-eurodrive.ca
Additional addresses for service in Canada provided on request!			
Chile			
Assembly Sales Service	Santiago de Chile	SEW-EURODRIVE CHILE LTDA. Las Encinas 1295 Parque Industrial Valle Grande LAMPA RCH-Santiago de Chile P.O. Box Casilla 23 Correo Quilicura - Santiago - Chile	Tel. +56 2 75770-00 Fax +56 2 75770-01 http://www.sew-eurodrive.cl ventas@sew-eurodrive.cl
China			
Production Assembly Sales Service	Tianjin	SEW-EURODRIVE (Tianjin) Co., Ltd. No. 46, 7th Avenue, TEDA Tianjin 300457	Tel. +86 22 25322612 Fax +86 22 25322611 info@sew-eurodrive.cn http://www.sew-eurodrive.cn
	Assembly Sales Service	Suzhou	SEW-EURODRIVE (Suzhou) Co., Ltd. 333, Suhong Middle Road Suzhou Industrial Park Jiangsu Province, 215021
	Guangzhou	SEW-EURODRIVE (Guangzhou) Co., Ltd. No. 9, JunDa Road East Section of GETDD Guangzhou 510530	Tel. +86 20 82267890 Fax +86 20 82267891 guangzhou@sew-eurodrive.cn
	Shenyang	SEW-EURODRIVE (Shenyang) Co., Ltd. 10A-2, 6th Road Shenyang Economic Technological Development Area Shenyang, 110141	Tel. +86 24 25382538 Fax +86 24 25382580 shenyang@sew-eurodrive.cn
	Wuhan	SEW-EURODRIVE (Wuhan) Co., Ltd. 10A-2, 6th Road No. 59, the 4th Quanli Road, WEDA 430056 Wuhan	Tel. +86 27 84478398 Fax +86 27 84478388
	Xi'An	SEW-EURODRIVE (Xi'An) Co., Ltd. No. 12 Jinye 2nd Road Xi'An High-Technology Industrial Development Zone Xi'An 710065	Tel. +86 29 88241718 Fax +86 29 68686296 logistic-xa@sew-eurodrive.cn
Additional addresses for service in China provided on request!			



Colombia			
Assembly	Bogotá	SEW-EURODRIVE COLOMBIA LTDA.	Tel. +57 1 54750-50
Sales		Calle 22 No. 132-60	Fax +57 1 54750-44
Service		Bodega 6, Manzana B Santafé de Bogotá	http://www.sew-eurodrive.com.co sewcol@sew-eurodrive.com.co
Croatia			
Sales	Zagreb	KOMPEKS d. o. o.	Tel. +385 1 4613-158
Service		PIT Erdödy 4 II HR 10 000 Zagreb	Fax +385 1 4613-158 kompeks@inet.hr
Czech Republic			
Sales	Praha	SEW-EURODRIVE CZ S.R.O.	Tel. +420 255 709 601
		Business Centrum Praha Lužná 591 CZ-16000 Praha 6 - Vokovice	Fax +420 220 121 237 http://www.sew-eurodrive.cz sew@sew-eurodrive.cz
Denmark			
Assembly	Kopenhagen	SEW-EURODRIVEA/S	Tel. +45 43 9585-00
Sales		Geminivej 28-30	Fax +45 43 9585-09
Service		DK-2670 Greve	http://www.sew-eurodrive.dk sew@sew-eurodrive.dk
Egypt			
Sales	Cairo	Copam Egypt	Tel. +20 2 22566-299 + 1 23143088
Service		for Engineering & Agencies 33 El Hegaz ST, Heliopolis, Cairo	Fax +20 2 22594-757 http://www.copam-egypt.com/ copam@datum.com.eg
Service	Sharjah	Copam Middle East (FZC) Sharjah Airport International Free Zone P.O. Box 120709 Sharjah United Arab Emirates	Tel. +971 6 5578-488 Fax +971 6 5578-499 copam_me@eim.ae
Estonia			
Sales	Tallin	ALAS-KUUL AS	Tel. +372 6593230
		Reti tee 4 EE-75301 Peetri küla, Rae vald, Harjumaa	Fax +372 6593231 veiko.soots@alas-kuul.ee
Finland			
Assembly	Lahti	SEW-EURODRIVE OY	Tel. +358 201 589-300
Sales		Vesimäentie 4	Fax +358 3 780-6211
Service		FIN-15860 Hollola 2	sew@sew.fi http://www.sew-eurodrive.fi
Production	Karkkila	SEW Industrial Gears Oy	Tel. +358 201 589-300
Assembly		Valurinkatu 6, PL 8 FI-03600 Karkkila, 03601 Karkkila	Fax +358 201 589-310 sew@sew.fi http://www.sew-eurodrive.fi
Gabon			
Sales	Libreville	ESG Electro Services Gabun	Tel. +241 741059
		Feu Rouge Lalala 1889 Libreville Gabun	Fax +241 741059
Great Britain			
Assembly	Normanton	SEW-EURODRIVE Ltd.	Tel. +44 1924 893-855
Sales		Beckbridge Industrial Estate	Fax +44 1924 893-702
Service		P.O. Box No.1 GB-Normanton, West- Yorkshire WF6 1QR	http://www.sew-eurodrive.co.uk info@sew-eurodrive.co.uk



Greece			
Sales Service	Athen	Christ. Boznos & Son S.A. 12, Mavromichali Street P.O. Box 80136, GR-18545 Piraeus	Tel. +30 2 1042 251-34 Fax +30 2 1042 251-59 http://www.boznos.gr info@boznos.gr
Hong Kong			
Assembly Sales Service	Hong Kong	SEW-EURODRIVE LTD. Unit No. 801-806, 8th Floor Hong Leong Industrial Complex No. 4, Wang Kwong Road Kowloon, Hong Kong	Tel. +852 36902200 Fax +852 36902211 contact@sew-eurodrive.hk
Hungary			
Sales Service	Budapest	SEW-EURODRIVE Kft. H-1037 Budapest Kunigunda u. 18	Tel. +36 1 437 06-58 Fax +36 1 437 06-50 office@sew-eurodrive.hu
India			
Registered Office Assembly Sales Service	Vadodara	SEW-EURODRIVE India Private Limited Plot No. 4, GIDC POR Ramangamdi • Vadodara - 391 243 Gujarat	Tel. +91 265 3045200, +91 265 2831086 Fax +91 265 3045300, +91 265 2831087 http://www.seweurodriveindia.com sales@seweurodriveindia.com subodh.ladwa@seweurodriveindia.com
Assembly Sales Service	Chennai	SEW-EURODRIVE India Private Limited Plot No. K3/1, Sipcot Industrial Park Phase II Mambakkam Village Sriperumbudur - 602105 Kancheepuram Dist, Tamil Nadu	Tel. +91 44 37188888 Fax +91 44 37188811 c.v.shivkumar@seweurodriveindia.com
Ireland			
Sales Service	Dublin	Alperton Engineering Ltd. 48 Moyle Road Dublin Industrial Estate Glasnevin, Dublin 11	Tel. +353 1 830-6277 Fax +353 1 830-6458 info@alperton.ie http://www.alperton.ie
Israel			
Sales	Tel-Aviv	Liraz Handasa Ltd. Ahofer Str 34B / 228 58858 Holon	Tel. +972 3 5599511 Fax +972 3 5599512 http://www.liraz-handasa.co.il office@liraz-handasa.co.il
Italy			
Assembly Sales Service	Milano	SEW-EURODRIVE di R. Blicke & Co.s.a.s. Via Bernini,14 I-20020 Solaro (Milano)	Tel. +39 02 96 9801 Fax +39 02 96 799781 http://www.sew-eurodrive.it sewit@sew-eurodrive.it
Ivory Coast			
Sales	Abidjan	SICA Ste industrielle et commerciale pour l'Afrique 165, Bld de Marseille B.P. 2323, Abidjan 08	Tel. +225 2579-44 Fax +225 2584-36
Japan			
Assembly Sales Service	Iwata	SEW-EURODRIVE JAPAN CO., LTD 250-1, Shimoman-no, Iwata Shizuoka 438-0818	Tel. +81 538 373811 Fax +81 538 373814 http://www.sew-eurodrive.co.jp sewjapan@sew-eurodrive.co.jp



Korea			
Assembly Sales Service	Ansan-City	SEW-EURODRIVE KOREA CO., LTD. B 601-4, Banweol Industrial Estate 1048-4, Shingil-Dong Ansan 425-120	Tel. +82 31 492-8051 Fax +82 31 492-8056 http://www.sew-korea.co.kr master@sew-korea.co.kr
	Busan	SEW-EURODRIVE KOREA Co., Ltd. No. 1720 - 11, Songjeong - dong Gangseo-ku Busan 618-270	Tel. +82 51 832-0204 Fax +82 51 832-0230 master@sew-korea.co.kr
Latvia			
Sales	Riga	SIA Alas-Kuul Katlakalna 11C LV-1073 Riga	Tel. +371 7139253 Fax +371 7139386 http://www.alas-kuul.com info@alas-kuul.com
Lebanon			
Sales	Beirut	Gabriel Acar & Fils sarl B. P. 80484 Bourj Hammoud, Beirut	Tel. +961 1 4947-86 +961 1 4982-72 +961 3 2745-39 Fax +961 1 4949-71 ssacar@inco.com.lb
	Beirut	Middle East Drives S.A.L. (offshore) Sin El Fil. B. P. 55-378 Beirut	Tel. +961 1 494 786 Fax +961 1 494 971 philippe.acar@medrives.com
Lithuania			
Sales	Alytus	UAB Irseva Naujoji 19 LT-62175 Alytus	Tel. +370 315 79204 Fax +370 315 56175 info@irseva.lt http://www.sew-eurodrive.lt
Luxembourg			
Assembly Sales Service	Brüssel	CARON-VECTOR S.A. Avenue Eiffel 5 B-1300 Wavre	Tel. +32 10 231-311 Fax +32 10 231-336 http://www.sew-eurodrive.lu info@caron-vector.be
Malaysia			
Assembly Sales Service	Johore	SEW-EURODRIVE SDN BHD No. 95, Jalan Seroja 39, Taman Johor Jaya 81000 Johor Bahru, Johor West Malaysia	Tel. +60 7 3549409 Fax +60 7 3541404 sales@sew-eurodrive.com.my
Mexico			
Assembly Sales Service	Quéretaro	SEW-EURODRIVE MEXICO SA DE CV SEM-981118-M93 Tequisquiapan No. 102 Parque Industrial Quéretaro C.P. 76220 Quéretaro, México	Tel. +52 442 1030-300 Fax +52 442 1030-301 http://www.sew-eurodrive.com.mx scmexico@seweurodrive.com.mx
Morocco			
Sales	Casablanca	Afit 5, rue Emir Abdelkader MA 20300 Casablanca	Tel. +212 522618372 Fax +212 522618351 ali.alami@premium.net.ma



Netherlands			
Assembly	Rotterdam	VECTOR Aandrijftechniek B.V.	Tel. +31 10 4463-700
Sales		Industrieweg 175	Fax +31 10 4155-552
Service		NL-3044 AS Rotterdam Postbus 10085 NL-3004 AB Rotterdam	http://www.vector.nu info@vector.nu
New Zealand			
Assembly	Auckland	SEW-EURODRIVE NEW ZEALAND LTD.	Tel. +64 9 2745627
Sales		P.O. Box 58-428	Fax +64 9 2740165
Service		82 Greenmount drive East Tamaki Auckland	http://www.sew-eurodrive.co.nz sales@sew-eurodrive.co.nz
	Christchurch	SEW-EURODRIVE NEW ZEALAND LTD. 10 Settlers Crescent, Ferrymead Christchurch	Tel. +64 3 384-6251 Fax +64 3 384-6455 sales@sew-eurodrive.co.nz
Norway			
Assembly	Moss	SEW-EURODRIVE A/S	Tel. +47 69 24 10 20
Sales		Solgaard skog 71	Fax +47 69 24 10 40
Service		N-1599 Moss	http://www.sew-eurodrive.no sew@sew-eurodrive.no
Peru			
Assembly	Lima	SEW DEL PERU MOTORES REDUCTORES	Tel. +51 1 3495280
Sales		S.A.C.	Fax +51 1 3493002
Service		Los Calderos, 120-124 Urbanizacion Industrial Vulcano, ATE, Lima	http://www.sew-eurodrive.com.pe sewperu@sew-eurodrive.com.pe
Poland			
Assembly	Lodz	SEW-EURODRIVE Polska Sp.z.o.o.	Tel. +48 42 676 53 00
Sales		ul. Techniczna 5	Fax +48 42 676 53 45
Service		PL-92-518 Łódź	http://www.sew-eurodrive.pl sew@sew-eurodrive.pl
		24 Hour Service	Tel. +48 602 739 739 (+48 602 SEW SEW) serwis@sew-eurodrive.pl
Portugal			
Assembly	Coimbra	SEW-EURODRIVE, LDA.	Tel. +351 231 20 9670
Sales		Apartado 15	Fax +351 231 20 3685
Service		P-3050-901 Mealhada	http://www.sew-eurodrive.pt infosew@sew-eurodrive.pt
Romania			
Sales	București	Sialco Trading SRL	Tel. +40 21 230-1328
Service		str. Madrid nr.4 011785 Bucuresti	Fax +40 21 230-7170 sialco@sialco.ro
Russia			
Assembly	St. Petersburg	ZAO SEW-EURODRIVE	Tel. +7 812 3332522 +7 812 5357142
Sales		P.O. Box 36	Fax +7 812 3332523
Service		195220 St. Petersburg Russia	http://www.sew-eurodrive.ru sew@sew-eurodrive.ru
Senegal			
Sales	Dakar	SENEMECA Mécanique Générale Km 8, Route de Rufisque B.P. 3251, Dakar	Tel. +221 338 494 770 Fax +221 338 494 771 senemeca@sentoo.sn



Serbia			
Sales	Beograd	DIPAR d.o.o. Ustanicka 128a PC Košum, IV floor SCG-11000 Beograd	Tel. +381 11 347 3244 / +381 11 288 0393 Fax +381 11 347 1337 office@dipar.co.yu
Singapore			
Assembly Sales Service	Singapore	SEW-EURODRIVE PTE. LTD. No 9, Tuas Drive 2 Jurong Industrial Estate Singapore 638644	Tel. +65 68621701 Fax +65 68612827 http://www.sew-eurodrive.com.sg sewsingapore@sew-eurodrive.com
Slovakia			
Sales	Bratislava	SEW-Eurodrive SK s.r.o. Rybničná 40 SK-831 06 Bratislava	Tel. +421 2 33595 202 Fax +421 2 33595 200 sew@sew-eurodrive.sk http://www.sew-eurodrive.sk
	Žilina	SEW-Eurodrive SK s.r.o. Industry Park - PChZ ulica M.R.Štefánika 71 SK-010 01 Žilina	Tel. +421 41 700 2513 Fax +421 41 700 2514 sew@sew-eurodrive.sk
	Banská Bystrica	SEW-Eurodrive SK s.r.o. Rudlovska cesta 85 SK-974 11 Banská Bystrica	Tel. +421 48 414 6564 Fax +421 48 414 6566 sew@sew-eurodrive.sk
	Košice	SEW-Eurodrive SK s.r.o. Slovenská ulica 26 SK-040 01 Košice	Tel. +421 55 671 2245 Fax +421 55 671 2254 sew@sew-eurodrive.sk
Slovenia			
Sales Service	Celje	Pakman - Pogonska Tehnika d.o.o. Ul. XIV. divizije 14 SLO - 3000 Celje	Tel. +386 3 490 83-20 Fax +386 3 490 83-21 pakman@siol.net
South Africa			
Assembly Sales Service	Johannesburg	SEW-EURODRIVE (PROPRIETARY) LIMITED Eurodrive House Cnr. Adcock Ingram and Aerodrome Roads Aeroton Ext. 2 Johannesburg 2013 P.O.Box 90004 Bertsham 2013	Tel. +27 11 248-7000 Fax +27 11 494-3104 http://www.sew.co.za info@sew.co.za
	Cape Town	SEW-EURODRIVE (PROPRIETARY) LIMITED Rainbow Park Cnr. Racecourse & Omuramba Road Montague Gardens Cape Town P.O.Box 36556 Chempet 7442 Cape Town	Tel. +27 21 552-9820 Fax +27 21 552-9830 Telex 576 062 cfoster@sew.co.za
	Durban	SEW-EURODRIVE (PROPRIETARY) LIMITED 2 Monaco Place Pinetown Durban P.O. Box 10433, Ashwood 3605	Tel. +27 31 700-3451 Fax +27 31 700-3847 cdejager@sew.co.za



Spain			
Assembly Sales Service	Bilbao	SEW-EURODRIVE ESPAÑA, S.L. Parque Tecnológico, Edificio, 302 E-48170 Zamudio (Vizcaya)	Tel. +34 94 43184-70 Fax +34 94 43184-71 http://www.sew-eurodrive.es sew.spain@sew-eurodrive.es
Sweden			
Assembly Sales Service	Jönköping	SEW-EURODRIVE AB Gnejsvägen 6-8 S-55303 Jönköping Box 3100 S-55003 Jönköping	Tel. +46 36 3442 00 Fax +46 36 3442 80 http://www.sew-eurodrive.se jonkoping@sew.se
Switzerland			
Assembly Sales Service	Basel	Alfred Imhof A.G. Jurastrasse 10 CH-4142 Münchenstein bei Basel	Tel. +41 61 417 1717 Fax +41 61 417 1700 http://www.imhof-sew.ch info@imhof-sew.ch
Thailand			
Assembly Sales Service	Chonburi	SEW-EURODRIVE (Thailand) Ltd. 700/456, Moo.7, Donhuaroh Muang Chonburi 20000	Tel. +66 38 454281 Fax +66 38 454288 sewthailand@sew-eurodrive.com
Tunisia			
Sales	Tunis	T. M.S. Technic Marketing Service Zone Industrielle Mghira 2 Lot No. 39 2082 Fouchana	Tel. +216 71 4340-64 + 71 4320-29 Fax +216 71 4329-76 tms@tms.com.tn
Turkey			
Assembly Sales Service	Istanbul	SEW-EURODRIVE Hareket Sistemleri San. ve Tic. Ltd. Sti. Bagdat Cad. Koruma Cikmazi No. 3 TR-34846 Maltepe ISTANBUL	Tel. +90 216 4419163 / 4419164 Fax +90 216 3055867 http://www.sew-eurodrive.com.tr sew@sew-eurodrive.com.tr
Ukraine			
Sales Service	Dnepropetrovsk	SEW-EURODRIVE Str. Rabochaja 23-B, Office 409 49008 Dnepropetrovsk	Tel. +380 56 370 3211 Fax +380 56 372 2078 http://www.sew-eurodrive.ua sew@sew-eurodrive.ua
USA			
Production Assembly Sales Service Corporate Offices	Southeast Region	SEW-EURODRIVE INC. 1295 Old Spartanburg Highway P.O. Box 518 Lyman, S.C. 29365	Tel. +1 864 439-7537 Fax Sales +1 864 439-7830 Fax Manufacturing +1 864 439-9948 Fax Assembly +1 864 439-0566 Fax Confidential/HR +1 864 949-5557 http://www.seweurodrive.com cslyman@seweurodrive.com
Assembly Sales Service	Northeast Region	SEW-EURODRIVE INC. Pureland Ind. Complex 2107 High Hill Road, P.O. Box 481 Bridgeport, New Jersey 08014	Tel. +1 856 467-2277 Fax +1 856 845-3179 csbridgeport@seweurodrive.com
	Midwest Region	SEW-EURODRIVE INC. 2001 West Main Street Troy, Ohio 45373	Tel. +1 937 335-0036 Fax +1 937 440-3799 cstroy@seweurodrive.com
	Southwest Region	SEW-EURODRIVE INC. 3950 Platinum Way Dallas, Texas 75237	Tel. +1 214 330-4824 Fax +1 214 330-4724 csdallas@seweurodrive.com



USA			
	Western Region	SEW-EURODRIVE INC. 30599 San Antonio St. Hayward, CA 94544	Tel. +1 510 487-3560 Fax +1 510 487-6433 cshayward@seweurodrive.com
Additional addresses for service in the USA provided on request!			
Venezuela			
Assembly Sales Service	Valencia	SEW-EURODRIVE Venezuela S.A. Av. Norte Sur No. 3, Galpon 84-319 Zona Industrial Municipal Norte Valencia, Estado Carabobo	Tel. +58 241 832-9804 Fax +58 241 838-6275 http://www.sew-eurodrive.com.ve ventas@sew-eurodrive.com.ve sewfinanzas@cantv.net



Index

A

Adapter plate	
BG0 to BG0S	11
BG1 to BG0L	16
BG2 to BG2S	22
Analog input	27

B

BG0	
Adapter kit dimensions	28
Disassembly of MOVITRAC® 31C	10
Installation of MOVITRAC® B	11
BG1	
Adapter kit dimensions	28
Disassembly of MOVITRAC® 31C	16
Installation of MOVITRAC® B	17
BG2	
Adapter kit dimensions	29
Disassembly of MOVITRAC® 31C	21
Installation of MOVITRAC® B	22

C

Conversion	
BG0 to BG0S	10
BG0 to BG0S with EMC module	15
BG1 to BG0L	16
BG2 to BG2S	21
Preparation	10

D

DC 24 V terminal	27
Dimensions of adapter kit	
BG0	28
BG1	28
BG2	29
Disassembly of MOVITRAC® 31C	
BG0 to BG0S	10
BG1 to BG0L	16
BG2 to BG2S	21

E

Error messages	27
----------------------	----

G

General notes	4
---------------------	---

I

Input, analog	27
Installation of MOVITRAC® B	
BG0 to BG0S	11
BG1 to BG0L	17
BG2 to BG2S	22

M

Malfunction messages	27
Mounting	
Adapter plate BG0	11
Adapter plate BG1	16
Adapter plate BG2	22

N

Notes	
General	4
Safety	4

O

Option terminal X14	26
---------------------------	----

P

Potential connection	26
Preparations for the conversion	10

R

Ramp switch-over	27
Rewiring	26
Rights to claim under limited warranty	5

S

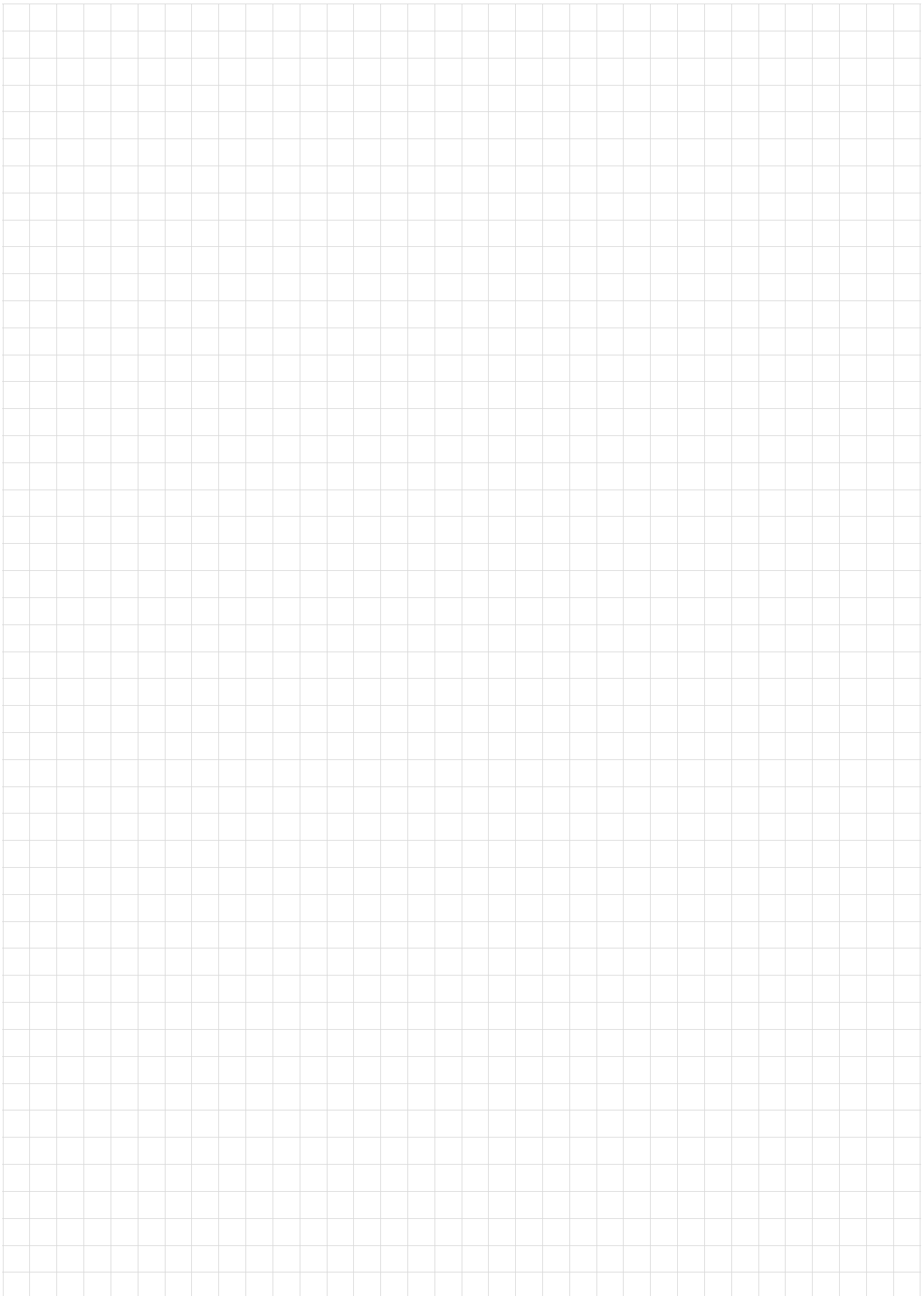
Safety notes	6
Structure	4
Startup	25, 27

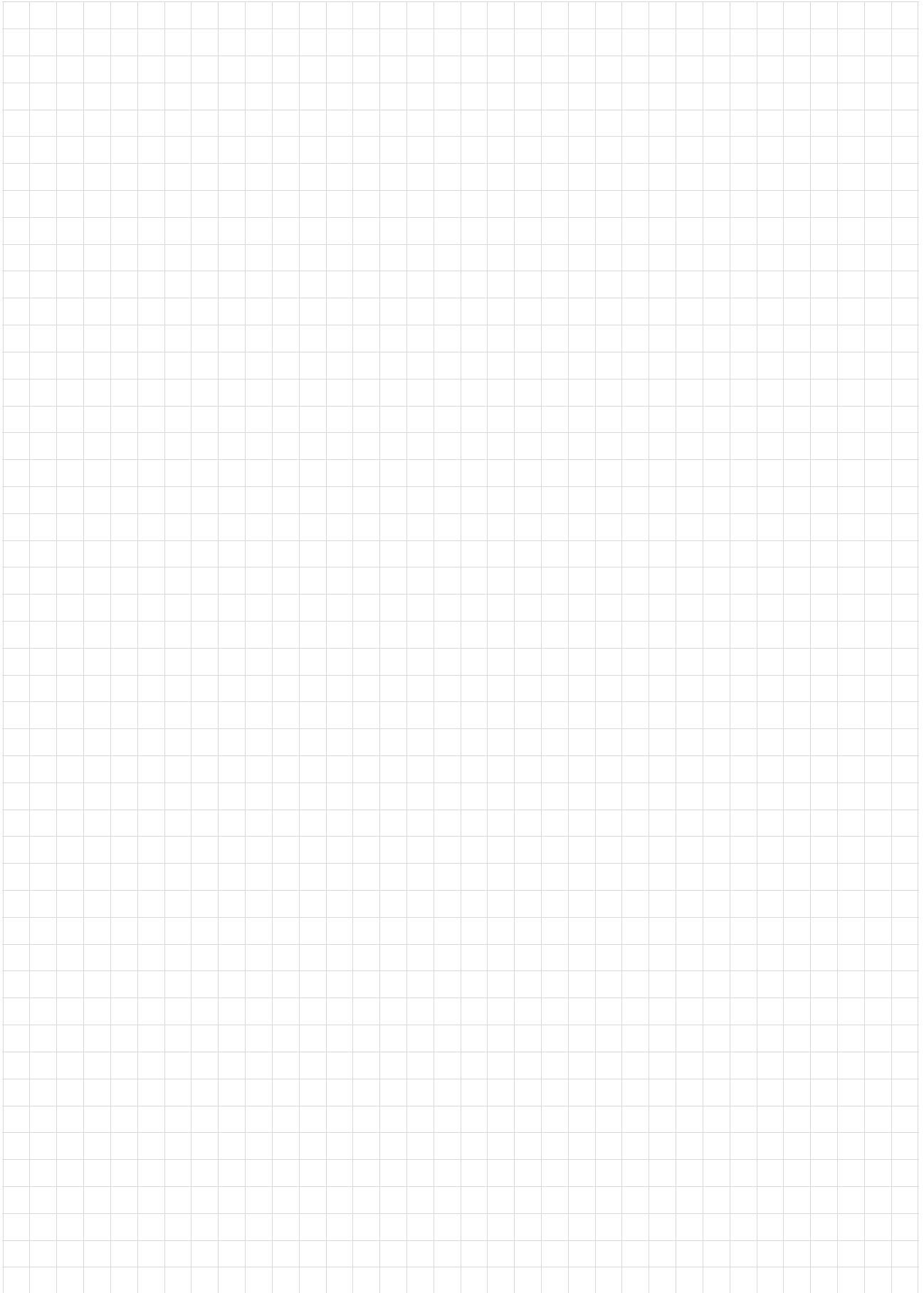
T

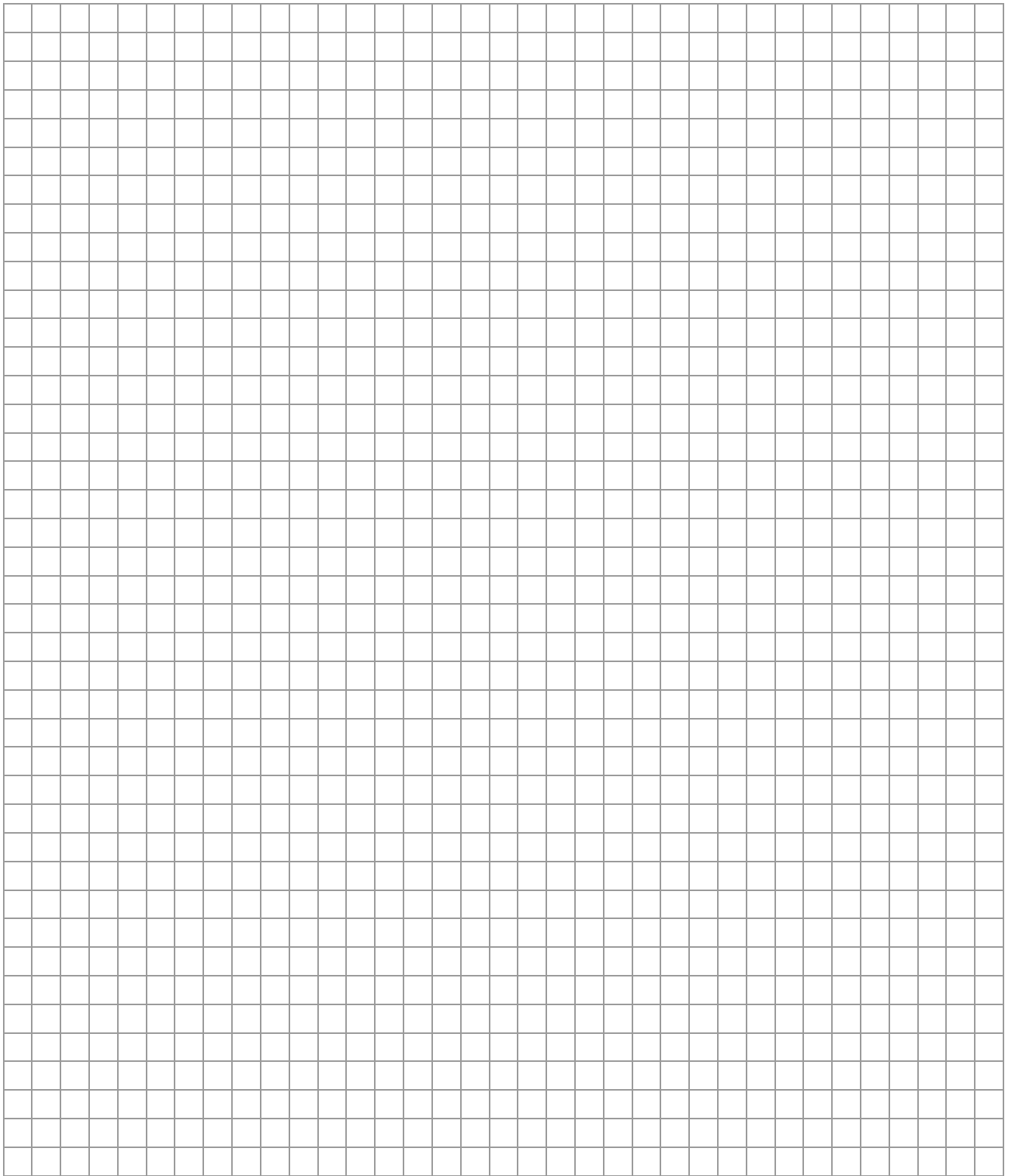
Terminal assignment	25
Terminal DC 24 V	27
Terminal X14	26

W

Wiring	26
--------------	----









SEW-EURODRIVE
Driving the world

SEW
EURODRIVE

SEW-EURODRIVE GmbH & Co KG
P.O. Box 3023
D-76642 Bruchsal/Germany
Phone +49 7251 75-0
Fax +49 7251 75-1970
sew@sew-eurodrive.com

→ www.sew-eurodrive.com