

Smooth pole-change unit WPU for pole changing motors

Installation and Operating Instructions

Edition 04/98



08/121/92

0921 4410 / 0498



SEW EURODRIVE

Smooth pole-change units WPU optimize the operational performance of pole-changing motors for applications where smooth changing from high to low speed is required.

The regenerative brake torque when switching from high to low speed can – depending on the design and frame size of the motor – for a short time reach three to nine times the rated torque of the low-speed winding.

The smooth pole-change unit WPU reduces this regenerative change-back torque to approx. one third of the above mentioned values.

When the change-back braking process is initiated, the integrated electronic circuit, using a wear-free switching element (Triac), opens one phase of the motor power supply.

The breakaway and rated torques of the motor are not effected by this at all.

Smooth pole-change units WPU 1001/1003 and 1010 are designed as modular units for top-hat rail mounting with screw terminals.

Units WPU 1001 and 1003 come without heatsink; WPU 1010 is provided with a heatsink, mounted on the side of the housing.

WPU 2030 is designed for switch cabinet installation. This unit has a heatsink integrated in the rear of the housing.

Characteristics:

- precise, automatic reconnection of the third phase after change-back – current-and speed-optimized in the synchronous point – completely load-independent
- no loss of energy, high efficiency
- wear-free
- full starting torque
- unlimited starting frequency
- minimal wiring requirements
- suitable for use with any pole-changing motor

The unit is to be installed by qualified electrical personnel only, in strict compliance with the applicable regulations for the prevention of accidents and the installation and operating instructions!



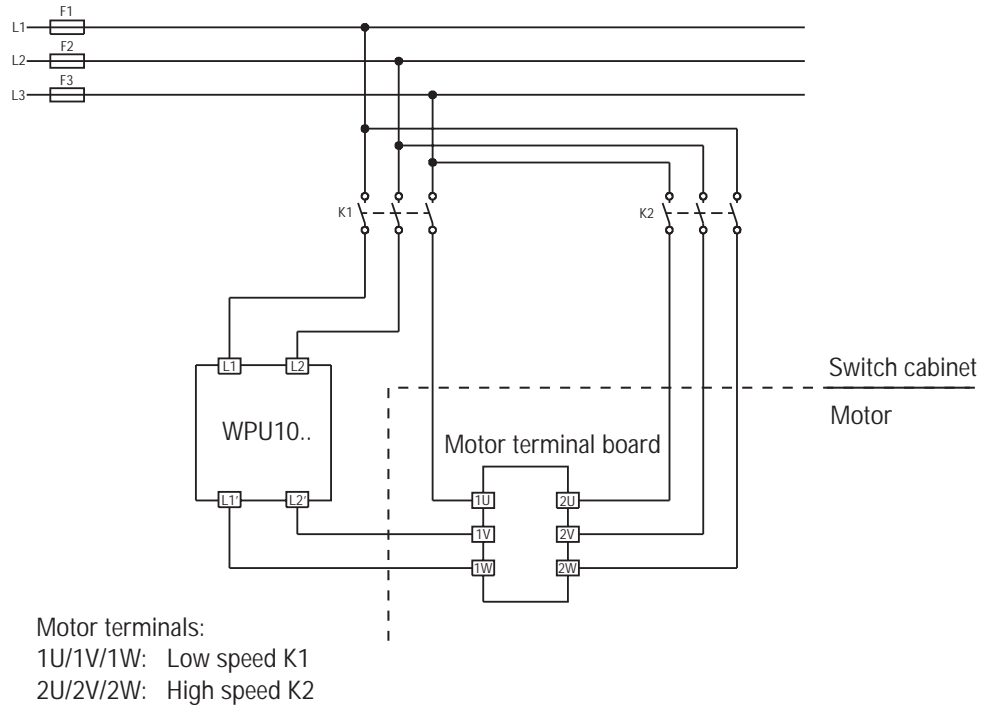
When installing the unit, please observe the following mechanical and electrical requirements:

- **Important:** Ensure that the unit is sufficiently cooled!

Type	Maximum permissible ambient temperature	Necessary cooling clearance	
		at the sides	top and bottom
WPU 1001	+ 45 °C	–	70 mm
WPU 1003		35 mm	
WPU 1010		–	100 mm
WPU 2030		–	

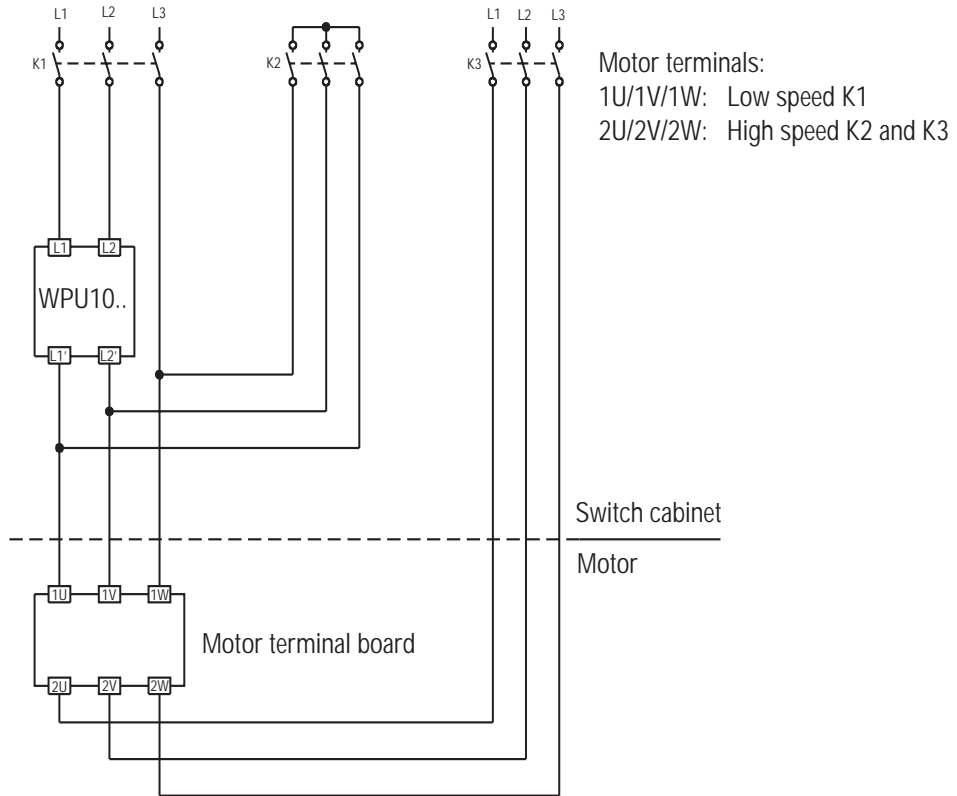
- Ensure protective earthing of WPU 1010 and WPU 2030.
- The lead cross-sections are to be dimensioned depending on the motor connected.
Maximum lead cross-section: WPU 1001/WPU 1003/WPU 1010: max. 2.5 mm²
WPU 2030: max. 16 mm²
- The fuses are to be chosen in accordance with the lead cross-section and the connected motor. As overload protection for the WPU, a motor circuit-breaker with instantaneous magnetic tripping may be used. It is to be interconnected in the lead of the low-speed winding and to be adjusted to the rated current of this winding (please refer to page "Technical Data")

Wiring diagram WPU for motors with separate windings



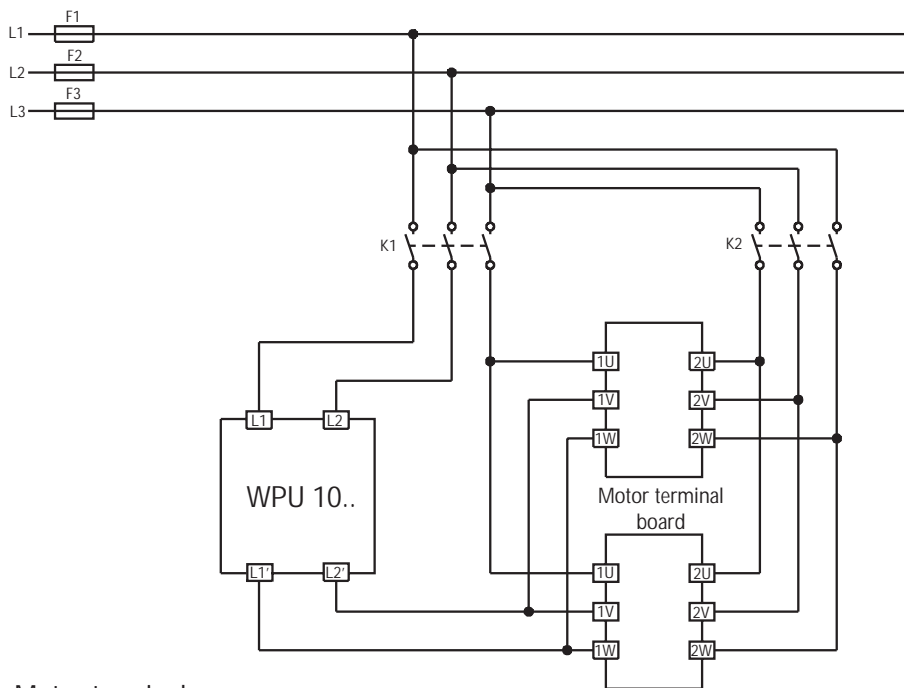
01697AEN

Wiring diagram WPU for tapped wound motors



01698AEN

Wiring diagram WPU for motors connected in parallel



Motor terminals:
 1U/1V/1W: Low speed K1
 2U/2V/2W: High speed K2

01700AEN

CAUTION: The sum of the individual currents may not exceed the maximum permissible current!

Wiring diagrams for WPU 2030

The wiring diagrams for WPU 2030 are identical to those for WPU 10.. with one exception: see the following assignments for terminal designations.

WPU	10..	2030
Terminal	L1 L2 L1' L2'	2 1 4 3



The unit is to be installed by qualified electrical personnel only, in strict compliance with the applicable regulations for the prevention of accidents and the installation and operating instructions!

It is recommended to carry out the commissioning with the motor in the cold state.

1. Switch the motor off.
Take appropriate measures to prevent unintentional switch-on of the motor!
2. For hoists and brake motors:
Ensure that the brake is disconnected electrically, i. e. that the brake is applied.
For this purpose, remove the lead at terminal 2 and/or terminal 3 of the brake rectifier.
3. Turn the potentiometer 20 turns in counterclockwise direction (I_{\min}).
Note: The 20-turn potentiometer is provided with a slipping clutch, so no stop can be felt.
4. Connect the motor at low speed.
→ The red LED lights up.
The motor does not rotate.
5. Turn the potentiometer in clockwise direction
→ The red LED goes off.
Motors without brake: The motor starts rotating.
Brake motors: The motor wants to start rotating, however, is blocked by the brake and therefore needs to be switched off as soon as possible.
Leave potentiometer setting at this point.
6. Switch the motor off again.
7. For brake motors with disconnected brake:
Reconnect brake.
8. Carry out trial run.

The setting is correct if

- the motor starts rotating immediately when connected (at low speed), the red LED does not shine.
- and the red LED lights up when changing from high to low speed. The LED remains lit during the deceleration process thus indicating its duration.

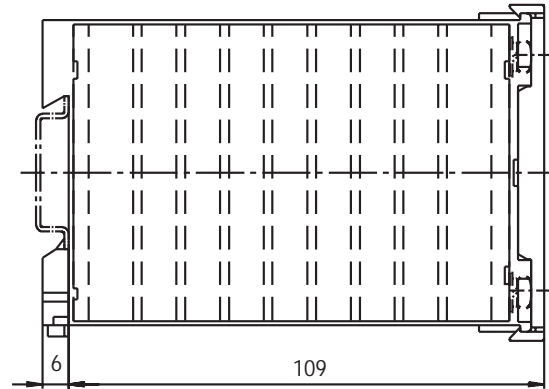
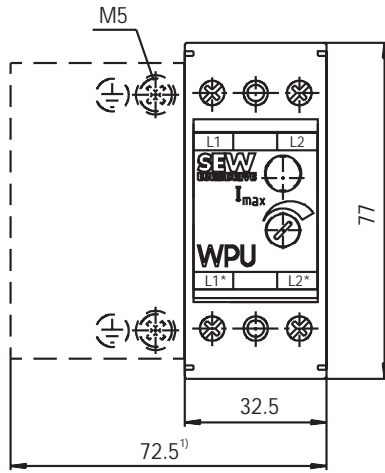
The setting is incorrect if

- the motor does not start rotating immediately when connected (at low speed), the red LED shines.
→ Turn potentiometer in clockwise direction.
- the red LED does not light up when changing from high to low speed.
→ Turn potentiometer in counterclockwise direction.

Type	WPU 1001	WPU 1003	WPU 1010	WPU 2030
Part no.	825 742 6	825 743 4	825 744 2	825 745 0
Rated supply voltage V_{mains}	2 x 150...500 V _{AC}			
Mains frequency f_{mains}	50/60 Hz			
Rated current I_N (continuous operation S1)	1 A _{AC}	3 A _{AC}	10 A _{AC}	30 A _{AC}
For pole-changing motors with rated current at low speed I_N (continuous operation S1)	0.2...1 A _{AC}	1...3 A _{AC}	3...10 A _{AC}	10...30 A _{AC}
For pole-changing motors with rated current at low speed I_N (intermittent operation S3 – cyclic duration factor 40/60 %) *)	0.2...1 A _{AC}	1...5 A _{AC}	3...15 A _{AC}	10...50 A _{AC}
Ambient temperature T_a	-15...+45 °C			
Enclosure type	IP 20			
Weight	0.3 kg	0.3 kg	0.6 kg	1.5 kg
Dimensions W x H x D	32.5x77x114 mm		72.5x77x114mm	143x200x80 mm
Mechanical design	Top-hat rail mounting with screw terminals			Mounted to switch cabinet wall

*) with a starting current of $\frac{I_a}{I_N} > 3$ the WPU must only be selected for S1 continuous operation.

WPU 1001/1003 and WPU 1010

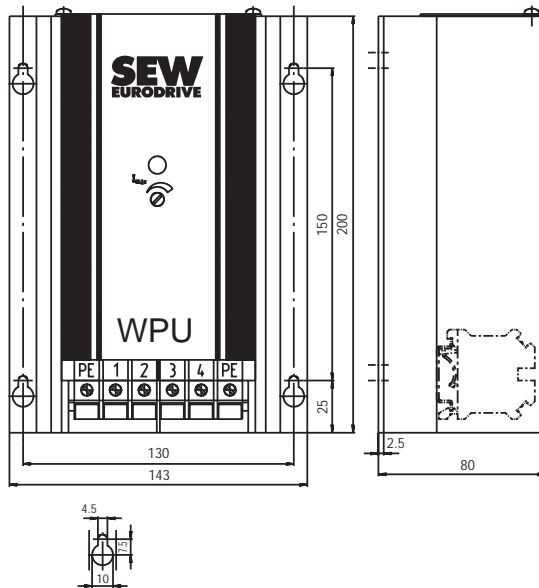


Mounted on top-hat rail EN 55022 - 32 x 7.5

1) Heat sink only on WPU 1010

01701AEN

WPU 2030



01702AXX

Germany	Headquarters Manufacture Sales, Service	Bruchsal	SEW-EURODRIVE GmbH & Co Ernst-Blickle-Straße 42 D-76646 Bruchsal Postfach 3023, D-76642 Bruchsal	Tel. (0 72 51) 75-0 Telefax (0 72 51) 75-19 70 Telex 7 822 391 http://www.SEW-EURODRIVE.com sew @ sew-eurodrive.com
	Manufacture	Graben	SEW-EURODRIVE GmbH & Co Ernst-Blickle-Straße 1 D-76676 Graben-Neudorf Postfach 1220, D-76671 Graben-Neudorf	Tel. (0 72 51) 75-0 Telefax (0 72 51) 75-29 70 Telex 7 822 276
	Assembly Service	Garbsen (near Hannover)	SEW-EURODRIVE GmbH & Co Alte Ricklinger Straße 40-42 D-30823 Garbsen Postfach 110453, D-30804 Garbsen	Tel. (0 51 37) 87 98-30 Telefax (0 51 37) 87 98-55
		Langenfeld (near Düsseldorf)	SEW-EURODRIVE GmbH & Co Siemensstraße 1 D-40764 Langenfeld	Tel. (0 21 73) 85 07-30 Telefax (0 21 73) 85 07-55
		Meerane (near Zwickau)	SEW-EURODRIVE GmbH & Co Dänkritzer Weg 1 D-08393 Meerane	Tel. (0 37 64) 76 06-0 Telefax (0 37 64) 76 06-30
France	Headquarters Manufacture Service	Haguenau	SEW-USOCOME S.A. 48-54, route de Soufflenheim-B. P. 185 F-67506 Haguenau Cedex	Tel. 03 88 73 67 00 Telefax 03 88 73 66 00 Telex: 870 033 http://www.usocomme.com sew@usocomme.com
	Manufacture	Forbach	SEW-EUROCOME S.A. Z.I. Technopole Forbach Sud B. P. 30269, F-57604 Forbach Cedex	
	Assembly Service Technical Offices	Bordeaux	SEW-USOCOME Parc d'activités de Magellan 62, avenue de Magellan - B. P. 182 F-33607 Pessac Cedex	Tel. 05 57 26 39 00 Telefax 05 57 26 39 09
		Paris	SEW-USOCOME Zone Industrielle, Rue Denis Papin-B.P. 5 F-77390 Verneuil l' Etang	Tel. 01 64 42 40 80 Telefax 01 64 42 40 88 Minitélex 219 423
Australia	Assembly Sales, Service	Melbourne	SEW-EURODRIVE PTY. LTD. 27 Beverage Drive Tullamarine, Victoria 3043	Tel. (03) 93 38-79 11 Telefax (03) 93 30-32 31 + 93 35 35 41
		Sydney	SEW-EURODRIVE PTY. LTD. 9, Sleigh Place, Wetherill Park Sydney N. S. W. 2164	Tel. (02) 97 56 10 55 Telefax (02) 97 56 10 05
Austria	Assembly Sales, Service	Wien	SEW-EURODRIVE Ges.m.b. H. Industriestraße B4 A-2345 Brunn a. Geb. bei Wien	Tel. (0 22 36) 3 16 31 Telefax (0 22 36) 3 33 85
Belgium	Assembly Sales, Service	Bruxelles	CARON-VECTOR S.A. Avenue Eiffel 5 B-1300 Wavre	Tel. (010) 23 13 11 Fax: (010) 23 13 36 Telex: 59 509
Brazil	Manufacture Sales, Service	São Paulo	SEW DO BRASIL Motores-Redutores Ltda. Caixa Postal 201-0711-970 Rodovia Presidente Dutra km 213 CEP 07210-000 Guarulhos-SP	Tel. (011) 64 60-6433 Telefax (011) 64 80-4612 E-Mail: sew.brasil@originet.com.br
Canada	Assembly Sales, Service	Toronto	SEW-EURODRIVE CO. OF CANADA LTD. 210 Walker Drive Bramalea, Ontario L6T3W1	Tel. (905) 7 91-15 53 Telefax (905) 7 91-29 99
		Vancouver	SEW-EURODRIVE CO. OF CANADA LTD. 7188 Honeyman Street Delta. B.C. V4G 1 E2	Tel. (604) 2 72 42 88 + 9 46 55 35 Telefax (604) 946-2513
		Montreal	SEW-EURODRIVE CO. OF CANADA LTD. 2555 Rue Leger Street LaSalle, Quebec H8N 2V9	Tel. (514) 3 67-11 24 Telefax (514) 3 67-36 77
Chile	Assembly Sales, Service	Santiago de Chile	SEW-EURODRIVE CHILE Motores-Redutores LTDA. Panamericana Norte Nº 9261 Casilla 23-Correo Quilicura RCH-Santiago de Chile	Tel. (02) 6 23 82 03 + 6 23 81 63 Telefax (02) 6 23 81 79
Denmark	Assembly Sales, Service	Kopenhagen	SEW-EURODRIVE A/S Geminivej 28-30, P.O. BoX 100 DK-2670 Greve	Tel. 4395 8500 Telefax 4395 8509
Finland	Assembly Sales, Service	Lahti	SEW-EURODRIVE OY Vesimäentie 4, FIN-15860 Hollola2	Tel. (3) 58 93 00 Telefax (3) 7 80 62 11
Great Britain	Assembly Sales, Service	Normanton	SEW-EURODRIVE Ltd. Beckbridge Industrial Estate P.O. Box No.1 GB-Normanton, West-Yorkshire WF61 QR	Tel.1/9 24 89 38 55 Telefax 1/9 24 89 37 02
Hong Kong	Assembly Sales, Service	Hong Kong	SEW-EURODRIVE LTD. Unit No.801-806, 8th Floor Hong Leong Industrial Complex No. 4, Wang Kwong Road Kowloon, Hong Kong	Tel. 2-7 96 04 77 + 7 96 04 65 Telefax 2-795-91 29
Italy	Assembly Sales, Service	Milano	SEW-EURODRIVE di R. Blickle & Co. s.a.s. Via Bernini, 14 I-20020 Solaro (Milano)	Tel. (02) 96 79 97 71 Telefax (02) 96 79 97 81

Japan	Assembly Sales, Service	Toyoda-cho	SEW-EURODRIVE JAPAN CO., LTD. 250-1, Shimoman-no, Toyoda-cho, Iwata-gun Shizuoka prefecture, P.O. Box 438-0818	Tel. (053 83) 7 38 11-13 Telefax (053 83) 7 38 14
Korea	Assembly Sales, Service	Ansan	SEW-EURODRIVE CO., LTD. B 601-4, Banwoel Industrial Estate 1048-4, Shingil-dong, Ansan 425-120	Tel. (03 45) 4 92-80 51 Telefax (03 45) 4 92-80 56
Malaysia	Assembly Sales, Service	Johore	SEW-EURODRIVE Sdn. Bhd. 95, Jalan Seroja 39 81100 Johore Bahru, Johore	Tel. (07) 3 54 57 07 + 3 54 94 09 Telefax (07) 3 5414 04
Netherlands	Assembly Sales, Service	Rotterdam	VECTOR Aandrijftechniek B.V. Industrieweg 175 NL-3044 AS Rotterdam Postbus 10085, N L-3004 AB Rotterdam	Tel. (010) 4 46 37 00 Telefax (010) 4 15 55 52
New Zealand	Assembly Sales, Service	Auckland	SEW-EURODRIVE NEW ZEALAND LTD. P.O. Box 58-428 82 Greenmount Drive East Tamaki, Auckland	Tel. (09) 2 74 56 27 2 74 00 77 Telefax (09) 2 74 01 65
Norway	Assembly Sales, Service	Moss	SEW-EURODRIVE A/S Solgaard skog 71, N-1539 Moss	Tel. (69) 24 10 20 Telefax (69) 24 10 40
Portugal	Assembly Sales, Service	Coimbra	SEW-EURODRIVE, LDA. Apartado 15, 3050 Mealhada	Tel. (031) 2 36 84 Telefax (031) 2 36 85
Singapore	Assembly Sales, Service	Singapore	SEW-EURODRIVE PTE. LTD. No 9, Tuas Drive 2, Jurong Industrial Estate Singapore 638644 Jurong Point Post Office, P.O. Box 813 Singapore 916428	Tel. 86 21 701-705 Telefax 8 61 28 27 Telex: 38 659
South Africa	Assembly Sales, Service	Johannesburg	SEW-EURODRIVE (PROPRIETARY) LIMITED Eurodrive House Cnr. Adcock Ingram and Aerodrome Roads Aeroton Ext. 2, Johannesburg 2013 P.O. Box 27032 2011 Benrose, Johannesburg	Tel. (2711) 4 94 43 80 Telefax (2711) 4 94 23 00
		Capetown	Gearedmotors of South Africa Pty. Ltd. No.1 Cor. Voortrekker & Beach Roads, P.O. Box 28 7405 Maitland, Cape	Tel. (021) 5 11 09 87 Telefax (021) 5 11 44 58 Telex: 576 062
		Durban	Gearedmotors of South Africa Pty. Ltd. 39 Circuit Road Westmead, Pinetown P.O. Box 10433, Ashwood 3605	Tel. (031) 7 00 34 51 Telex: 622 407
Spain	Assembly Sales, Service	Bilbao	SEW-EURODRIVE ESPAÑA, S.L. Oficinas Centrales, Talleres y Almacén Barrio Elorrieta, No 9, E-48015 Bilbao	Tel. 9 44 75 40 00 Telefax 9 44 75 55 42
Sweden	Assembly Sales, Service	Jönköping	SEW-EURODRIVE AB Gnejsvägen 6-8 S-55303 Jönköping	Tel. (036) 16 50 70 Telefax (036) 16 44 69 Telex: 70162
Switzerland	Assembly Sales, Service	Basel	Alfred Imhof A.G. Jurastrasse 10 CH-4142 Münchenstein bei Basel	Tel. (061) 4 17 17 17 Telefax (061) 4 17 17 00 Telex: 963 231
Thailand	Assembly	Chon Buri	SEW-EURODRIVE (Thailand) Ltd. Bangpakong Industrial Park 2 700/456, M007, Tambol Bonhuroh Muang District, Chon Buri 20000	Tel. 0066-38 21 45 29/30 Telefax 0066-38 21 45 31
Turkey	Assembly Sales, Service	Istanbul	SEW-EURODRIVE Hareket Sistemleri Ticaret Ltd. Sirketi Bagdat Cad. Koruma Cikmazi No. 3 TR-81540 Maltepe ISTANBUL	Telefon (216) 4 41 91 63 + 4 41 91 64 + 3 83 80 14 + 3 83 80 15 Telefax (216) 3 05 58 67
USA	Manufacture Assembly Sales, Service	Greenville	SEW-EURODRIVE INC. 1275 Old Spartanburg Highway P.O. Box 518 Lyman, S.C. 29365	Tel. (864) 4 39-75 37 Telefax Sales (864)439-78 30 Telefax Man. (864) 4 39-99 48 Telefax Ass. (864) 4 39-05 66 Telex: 805 550
		San Francisco	SEW-EURODRIVE INC. 30599 San Antonio Road P.O. Box 3910, Hayward California 94544	Tel. (510) 4 87-35 60 Telefax (510) 4 87-63 81
	Assembly Sales, Service	Philadelphia/PA	SEW-EURODRIVE INC. Pureland Ind. Complex 200 High Hill Road, P.O. Box 481 Bridgeport, New Jersey 08014	Tel. (609) 4 67-22 77 Telefax (609) 8 45-31 79
		Dayton	SEW-EURODRIVE INC. 2001 West Main Street Troy, Ohio 45373	Tel. (513) 3 35-00 36 Telefax (513) 2 22-41 04 Telex: 6 874 204
		Dallas	SEW-EURODRIVE INC. 3950 Platinum Way Dallas, Texas 75237	Tel. (214) 3 30-48 24 Telefax (214) 3 30-47 24
Venezuela	Assembly Sales, Service	Caracas	Edif. Asea Brown Boveri Av. Diego Cisneros Los Ruices	Tel. (02) 2 39 64 33 + 2 38 24 22 + 2 38 24 11 Telefax (02) 2 39 63 83 + 2 39 58 34 Telex: 2 52 49 + 2 52 65

We are available, wherever you need us.
Worldwide.

SEW-EURODRIVE right around the globe is
your competent partner in matters of power

transmission with manufacturing and assem-
bly plants in most major industrial countries.



SEW
EURODRIVE

SEW-EURODRIVE GmbH & Co · P.O.Box 30 23 · D-76642 Bruchsal/Germany
Tel. +49-7251-75-0 · Fax +49-7251-75-19 70 · Telex 7 822 391
<http://www.SEW-EURODRIVE.com> · sew@sew-eurodrive.com