

MOVITRAC® 31C Frequency Inverters

Addendum to the Operating Instructions Decentralized Frequency Inverters

Edition 02/98

- This addendum is not a replacement for the detailed operating instructions!
- Installation should only be performed by qualified electrical personnel in compliance with the applicable accident prevention regulations and the MOVITRAC® 31C operating instructions!



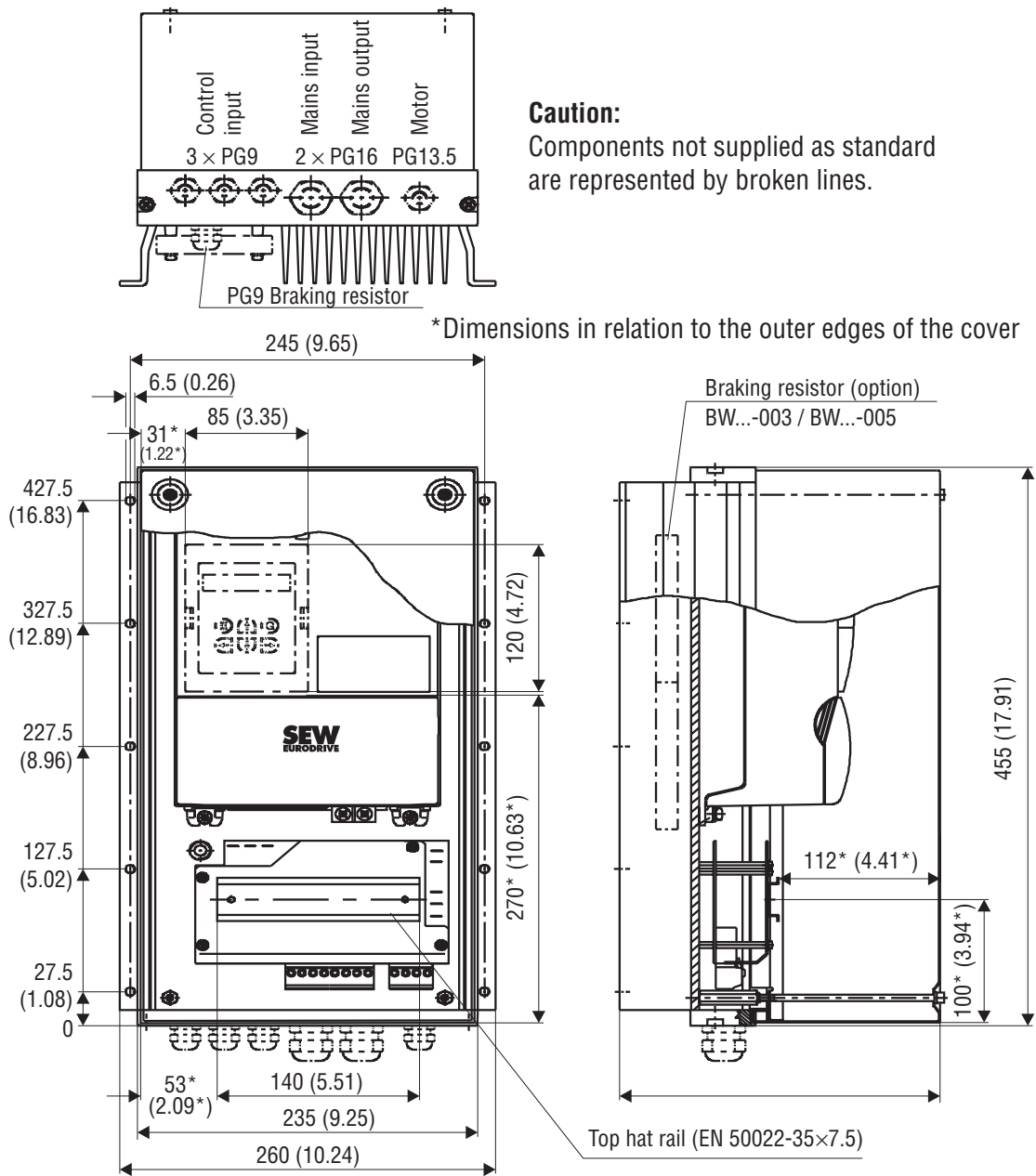
MOVITRAC® 31C Decentralized Frequency Inverters

MOVITRAC® 31C decentralized frequency inverters are MOVITRAC® 31C units with an integrated input filter installed in a housing with enclosure IP65. MOVITRAC® 31C frequency inverters can, therefore, be installed outside the switch cabinet, directly beside the motor. The use of a shielded motor lead or an HD output choke ensures compliance with the requirements of class limit B in accordance with EN 55011.

Technical Data:

MOVITRAC® 31C decentralized frequency inverters	31C008-503-4-10	31C015-503-4-10	31C022-503-4-10	31C030-503-4-10
Inverter part number	826 458 9	826 459 7	826 460 0	826 461 9
Rated supply voltage V_{mains}	3 × 380 V _{AC} -10% ... 3 × 500 V _{AC} +10%			
Mains frequency	50 Hz ... 60 Hz ± 5%			
Rated mains current I_{mains} (at $V_{\text{mains}} = 3 \times 400\text{V}_{\text{AC}}$)	100% 2.0 A _{AC} 125% 2.5 A _{AC}	3.5 A _{AC} 4.4 A _{AC}	5.0 A _{AC} 6.3 A _{AC}	6.7 A _{AC} 8.4 A _{AC}
Output rated power (const. at $V_{\text{mains}} = 380 \dots 500\text{V}_{\text{AC}}$)	P_N 1.8 kVA	2.8 kVA	3.8 kVA	5.1 kVA
Output current (at $V_{\text{mains}} = 3 \times 400\text{V}_{\text{AC}}$)	I_N 2.5 A _{AC}	4.0 A _{AC}	5.5 A _{AC}	7.3 A _{AC}
Continuous output current (125% I_N) (at $V_{\text{mains}} = 3 \times 400\text{V}_{\text{AC}}$)	I_D 3.1 A _{AC}	5.0 A _{AC}	6.9 A _{AC}	9.1 A _{AC}
Continuous operation recommended motor power	P_{MOT} 0.75 kW (1.0 HP)	1.5 kW (2.0 HP)	2.2 kW (3.0 HP)	3.0 kW (4.0 HP)
Variable torque load and const. load without overcurrent reserve recommended motor power	P_{MOT} 1.1 kW (1.5 HP)	2.2 kW (3.0 HP)	3.0 kW (4.0 HP)	4.0 kW (5.0 HP)
Immunity	complies with EN 50082 - Part 1 and 2			
Emitted interference with EMC compliant wiring	to level B as per EN 55011 and EN 55014			
Ambient temperature ϑ_U	0°C...+40°C (EN 50178)			
Enclosure	IP 65 (EN 60529)			
Connections	cables can be inserted via a detachable PG flange detachable screw-type terminals on the terminal board			
Cooling type	auto-cooling			
Weight	12.5 kg (27.56 lb)			
Overall dimensions W × H × D	260 × 455 × 222 mm (10.24 × 17.91 × 8.74 in)			
Housing	Cover: stainless steel		Lower part: Aluminium (ALMGSi05)	

Dimension drawing: all dimensions in mm (in)



Caution: Components not supplied as standard are represented by broken lines.

Fig. 1: Dimension drawing for decentralized frequency inverters

01314AEN

Wiring diagram for decentralized frequency inverters:

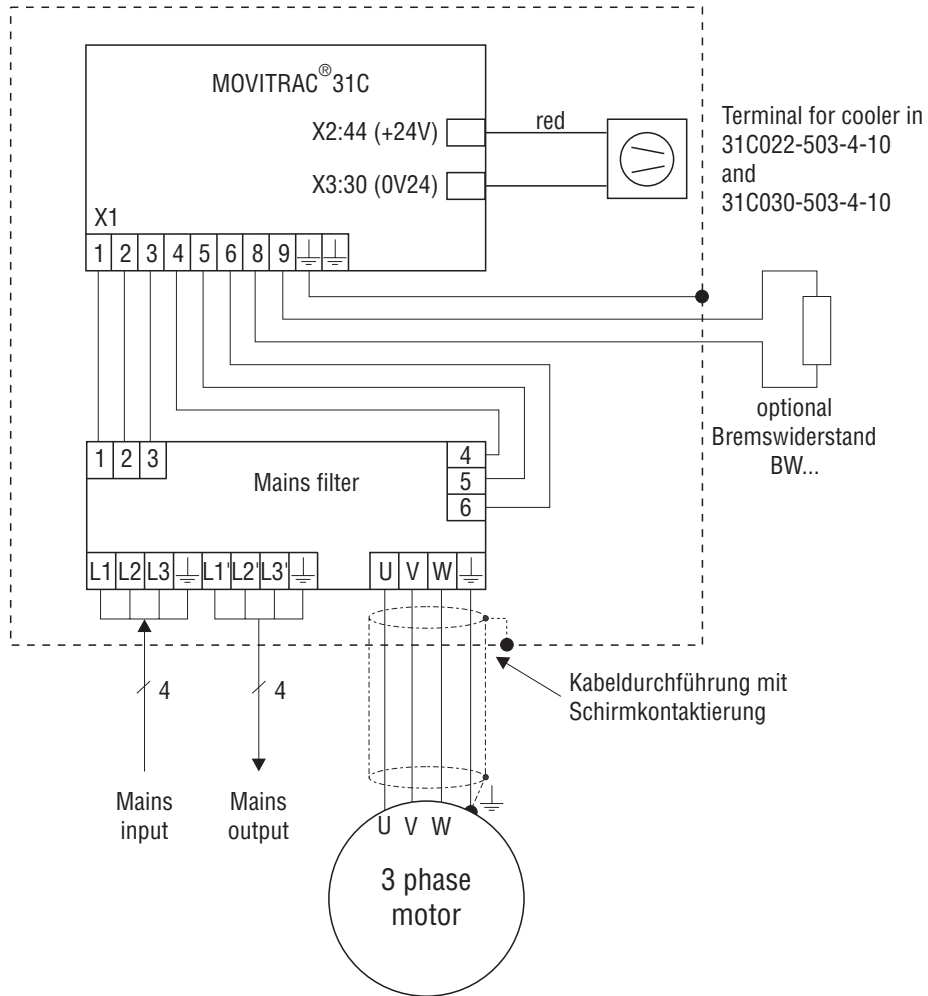


Fig. 2: Wiring diagram for decentralized frequency inverters

00766AEN

The internal wiring is supplied but **not** assembled.

**We are available, wherever you need us.
Worldwide.**

SEW-EURODRIVE right around the globe is
your competent partner in matters of power

transmission with manufacturing and assem-
bly plants in most major industrial countries.



**SEW
EURODRIVE**

SEW-EURODRIVE GmbH & Co · P.O.Box 30 23 · D-76642 Bruchsal/Germany
Tel. +49-7251-75-0 · Fax +49-7251-75-19 70 · Telex 7 822 391
<http://www.SEW-EURODRIVE.com> · sew@sew-eurodrive.com